




**EDITION PRO Wall-mounted single-lever basin mixer without pop-up waste -
Chrome**

36 812 626



- 200mm projection
- fixed spout
- circular, air-enriched flow
- hole diameter spout 37 mm
- hole diameter single-lever mixer 57 mm
- rosette for spout Ø 55mm
- rosette for mixer Ø 78mm
- max. flow 7 l/min
- lead-free
- WRAS

	Chrome	36 812 626-00
	Matte Black	36 812 626-33
	Brushed Chrome	36 812 626-93

Required miscellaneous



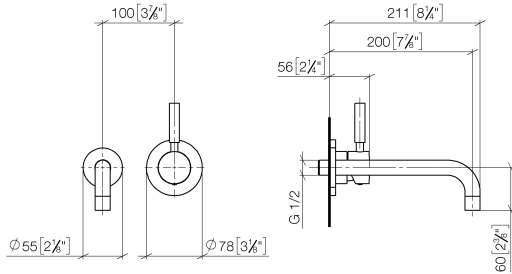
EDITION PRO Concealed wall-mounted single-lever mixer mixer on right - 35 870 970 90

- max. recess depth mm
- min. recess depth mm



EDITION PRO Wall-mounted single-lever basin mixer without pop-up waste - Chrome

36 812 626
mm [inches]



Flow rate chart



Codes & Standards

DIN 4109

ISO 3822

Scottish Water
Byelaws

UK Water Supply
Regulations

Ü-Zeichen



EDITION PRO Wall-mounted single-lever basin mixer without pop-up waste - Chrome

36 812 626

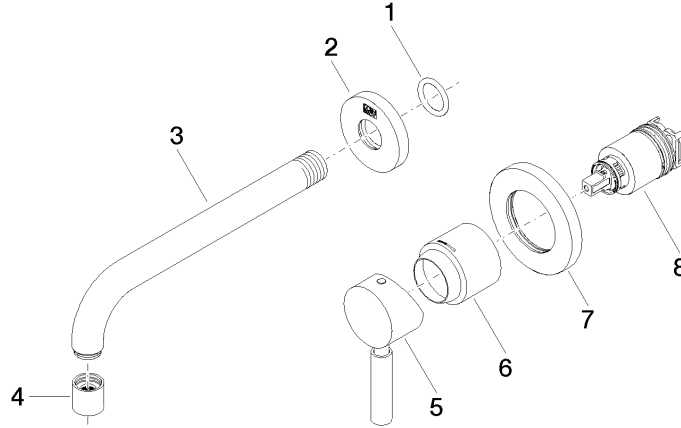
Certificates

WRAS_2107

LGA_9

**EDITION PRO Wall-mounted single-lever basin mixer without pop-up waste -
Chrome**

36 812 626



Spare parts list

No.	Item Number	Name	Quantity used	Delivery time
1	90 14 10 026 00 90	seal	1	2
2	09 27 22 503-00	rosette	1	10
3	04 28 22 116 10-00	spout	1	10
4	90 23 01 019 00-00	aerator	1	10
5	90 20 62 040 00-00	handle	1	10
6	09 11 02 522-00	cover	1	10
7	90 27 62 011 00-00	rosette	1	10
8	90 15 05 064 01 90	cartridge	1	2