




**IMO Wall-mounted single-lever basin mixer without pop-up waste - Brushed Chrome**

IMO

36 860 670



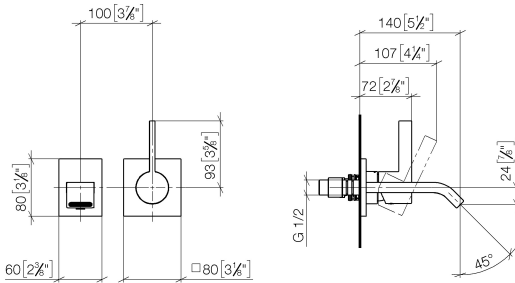
- 140mm projection
- fixed spout
- rectangular, air-enriched flow
- hole diameter spout 37 mm
- hole diameter single-lever mixer 57 mm
- rosette for spout 80 x 60mm
- rosette for mixer 80 x 80mm
- max. flow 5.7 l/min
- lead-free
- This product can help a building meet the requirements of Green Building Rating Systems, e.g. LEED®, BREEAM®, DGNB
- WRAS 2107018

|  |                  |               |
|--|------------------|---------------|
|  | Brushed Chrome   | 36 860 670-93 |
|  | Chrome           | 36 860 670-00 |
|  | Brushed Platinum | 36 860 670-06 |

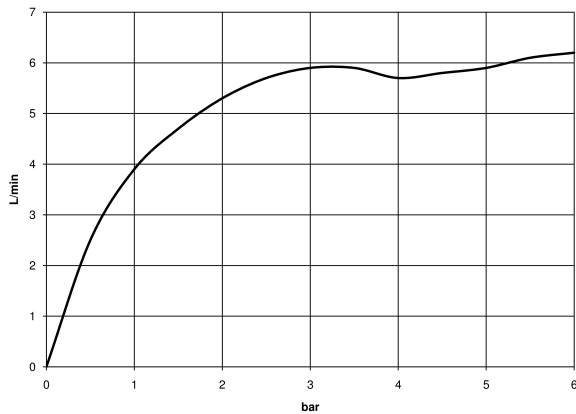
**IMO Wall-mounted single-lever basin mixer without pop-up waste - Brushed Chrome**

IMO

36 860 670  
mm [inches]



**Flow rate chart**



**Codes & Standards**

DIN 4109

EN 817

ISO 3822

Scottish Water  
Byelaws

UK Water Supply  
Regulations

Ü-Zeichen



IMO Wall-mounted single-lever basin mixer without pop-up waste - Brushed Chrome

---

IMO

36 860 670

Certificates

---

WRAS\_2107

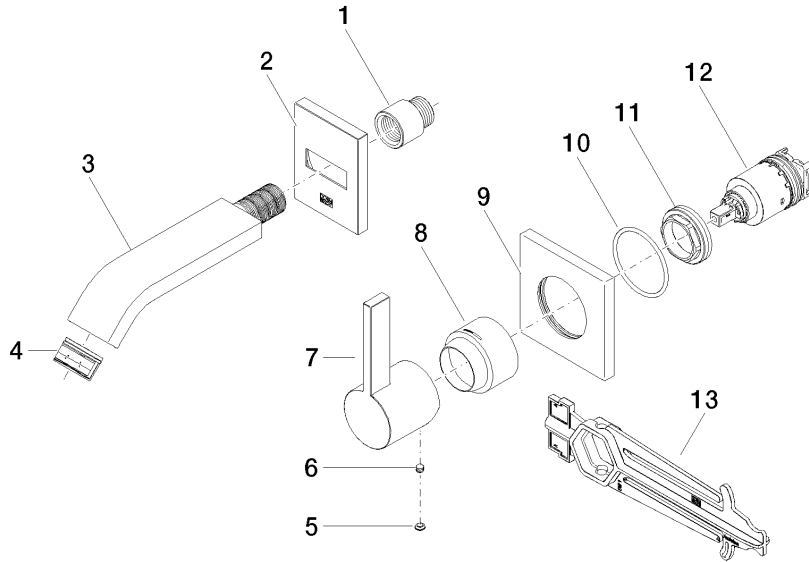
LGA\_29

DVGW\_DW-  
6512DN0

36 860 670

**Product version from 4/1/2024**

Parts for other  
finishes can be found  
here: [Chrome](#)





IMO Wall-mounted single-lever basin mixer without pop-up waste - Brushed Chrome

IMO

36 860 670

Spare parts list

**Product version from 4/1/2024**

| No. | Item Number        | Name   | Quantity used | Delivery time |
|-----|--------------------|--------|---------------|---------------|
|     | 09 24 03 072 10 90 | nipple | 13            | 2             |