

MEM Wall-mounted single-lever basin mixer without pop-up waste - Brushed Dark Platinum

MEM

36 860 782



- 177mm projection
- fixed spout
- rectangular, air-enriched flow
- hole diameter spout 37 mm
- hole diameter single-lever mixer 57 mm
- rosette for spout 80 x 60mm
- rosette for mixer 80 x 80mm
- max. flow 5.7 l/min
- lead-free
- This product can help a building meet the requirements of Green Building Rating Systems, e.g. LEED®, BREEAM®, DGNB
- WRAS 2107018

	Brushed Dark Platinum	36 860 782-99
	Chrome	36 860 782-00
	Brushed Platinum	36 860 782-06
	Platinum	36 860 782-08
	Dark Chrome	36 860 782-19
	Brushed Durabross (23kt Gold)	36 860 782-28
	Brushed Champagne (22kt Gold)	36 860 782-46
	Champagne (22kt Gold)	36 860 782-47

Required miscellaneous



Concealed wall-mounted single-lever mixer mixer on right - 35 816 970 90
 •NOTE:Not suitable for concealed installation.Connection by means of angle valves, mounted with screws to back wall.

Required miscellaneous

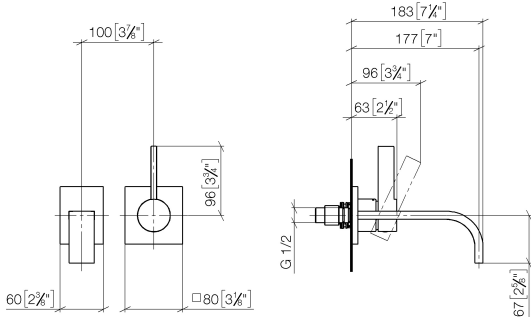


Concealed wall-mounted single-lever mixer - 35 860 970 90
 •max. recess depth 95 mm
 •min. recess depth 80 mm

MEM Wall-mounted single-lever basin mixer without pop-up waste - Brushed Dark Platinum

MEM

36 860 782
mm [inches]



Flow rate chart



Codes & Standards

DIN 4109

EN 817

ISO 3822

Scottish Water
Byelaws

UK Water Supply
Regulations

Ü-Zeichen



MEM Wall-mounted single-lever basin mixer without pop-up waste - Brushed
Dark Platinum

MEM

36 860 782

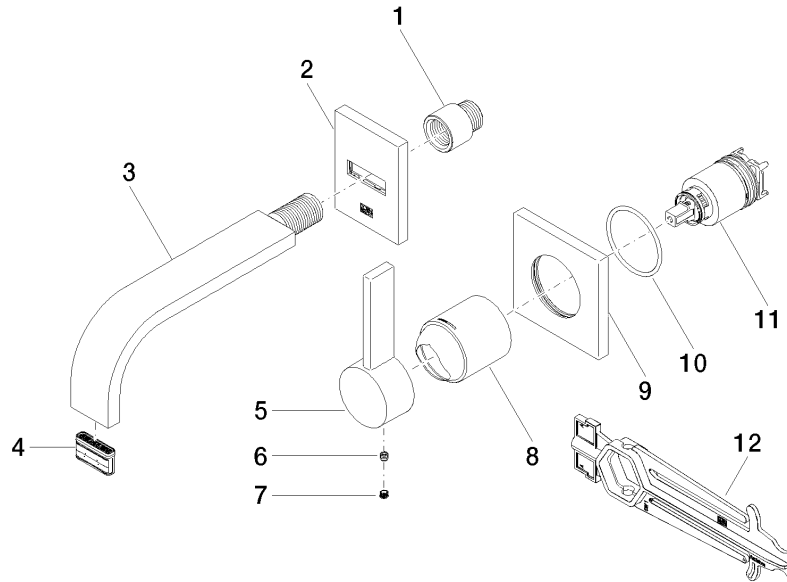
Certificates

LGA_29

WRAS_2107

DVGW_DW-
6512DN0

36 860 782





MEM Wall-mounted single-lever basin mixer without pop-up waste - Brushed
Dark Platinum

MEM

36 860 782

Spare parts list

No.	Item Number	Name	Quantity used	Delivery time
	09 24 03 072 10 90	nipple	12	2