

**VAIA Wall-mounted single-lever basin mixer without pop-up waste - Dark Chrome**

VAIA

36 860 809



- 190mm projection
- fixed spout
- circular, air-enriched flow
- hole diameter spout 37 mm
- hole diameter single-lever mixer 57 mm
- rosette for single-lever mixer Ø 78mm
- rosette for spout Ø 60mm
- max. flow 5.7 l/min
- lead-free
- This product can help a building meet the requirements of Green Building Rating Systems, e.g. LEED®, BREEAM®, DGNB
- WRAS 2107018

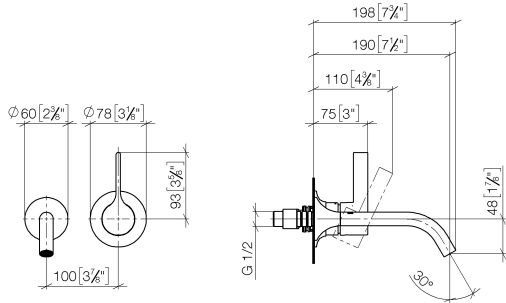
	Dark Chrome	36 860 809-19
	Chrome	36 860 809-00
	Brushed Platinum	36 860 809-06
	Platinum	36 860 809-08
	Brushed Durabronze (23kt Gold)	36 860 809-28
	Brushed Bronze	36 860 809-42
	Brushed Champagne (22kt Gold)	36 860 809-46
	Champagne (22kt Gold)	36 860 809-47
	Brushed Dark Platinum	36 860 809-99



# VAIA Wall-mounted single-lever basin mixer without pop-up waste - Dark Chrome

VAIA

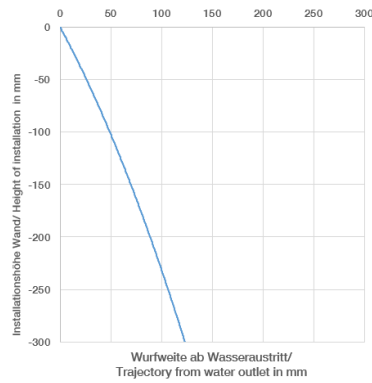
36 860 809  
mm [inches]



Flow rate chart



Trajectory diagram



## Codes & Standards

EN 817

Scottish Water  
Byelaws

UK Water Supply  
Regulations



VAIA Wall-mounted single-lever basin mixer without pop-up waste - Dark  
Chrome

---

VAIA

36 860 809

Certificates

---

WRAS\_2107

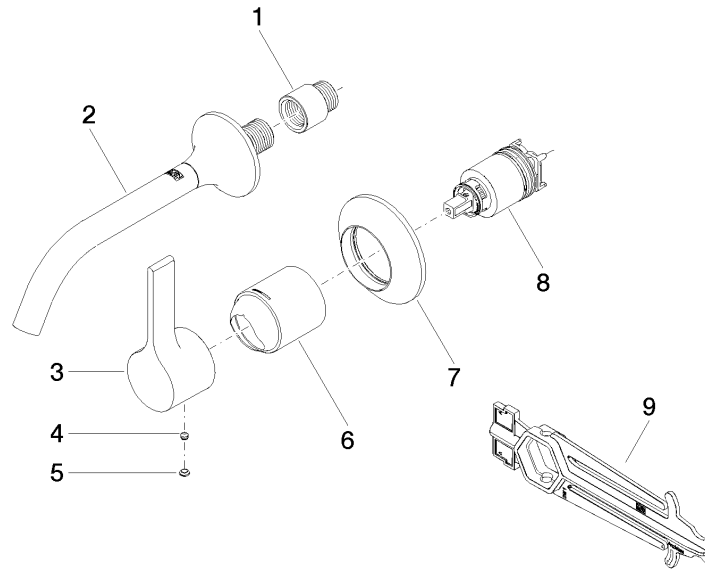
DVGW\_DW-  
6512DN0

VAIA Wall-mounted single-lever basin mixer without pop-up waste - Dark  
Chrome

VAIA

36 860 809

Parts for other  
finishes can be found  
here: [Chrome](#)





VAIA Wall-mounted single-lever basin mixer without pop-up waste - Dark  
Chrome

---

VAIA

36 860 809

**Spare parts list**