




IMO Wall-mounted single-lever basin mixer without pop-up waste - Brushed Chrome

IMO

36 861 670



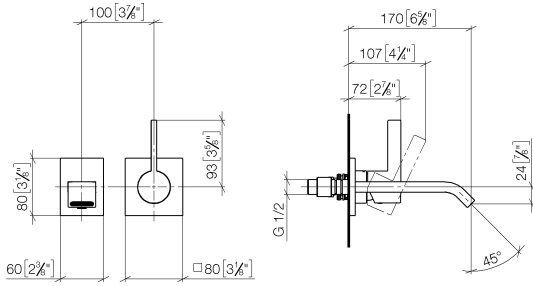
- 170mm projection
- fixed spout
- rectangular, air-enriched flow
- hole diameter spout 37 mm
- hole diameter single-lever mixer 57 mm
- rosette for spout 80 x 60mm
- rosette for mixer 80 x 80mm
- max. flow 5.7 l/min
- lead-free
- This product can help a building meet the requirements of Green Building Rating Systems, e.g. LEED®, BREEAM®, DGNB
- WRAS 2107018

	Brushed Chrome	36 861 670-93
	Chrome	36 861 670-00
	Brushed Platinum	36 861 670-06

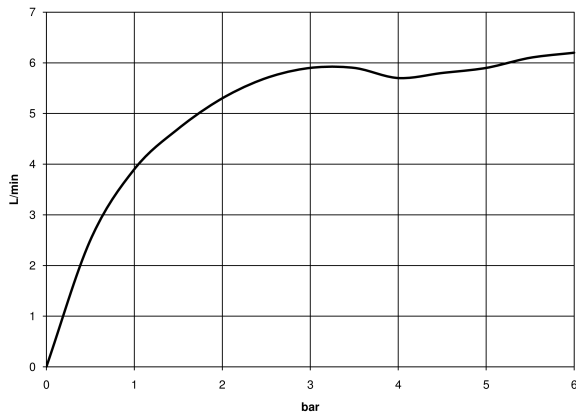
IMO Wall-mounted single-lever basin mixer without pop-up waste - Brushed Chrome

IMO

36 861 670
mm [inches]



Flow rate chart



Codes & Standards

DIN 4109	EN 817	ISO 3822	Scottish Water Byelaws
UK Water Supply Regulations	Ü-Zeichen		



IMO Wall-mounted single-lever basin mixer without pop-up waste - Brushed Chrome

IMO

36 861 670

Certificates

WRAS_2107

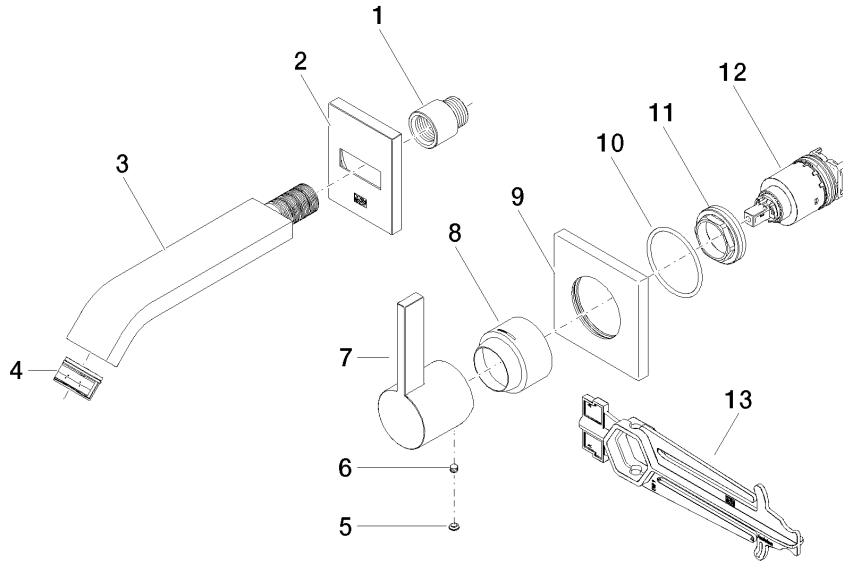
LGA_29

DVGW_DW-
6512DN0

36 861 670

Product version from 4/1/2024

Parts for other
finishes can be found
here: [Chrome](#)





IMO Wall-mounted single-lever basin mixer without pop-up waste - Brushed Chrome

IMO

36 861 670

Spare parts list

Product version from 4/1/2024

No.	Item Number	Name	Quantity used	Delivery time
	09 24 03 072 10 90	nipple	13	2