

**MEM Wall-mounted single-lever basin mixer with cover plate without pop-up waste - Brushed Platinum**

MEM

36 863 782



- 177mm projection
- fixed spout
- rectangular, air-enriched flow
- hole diameter spout 37 mm
- hole diameter single-lever mixer 57 mm
- cover plate 80 x 180 mm
- max. flow 5.7 l/min
- lead-free
- This product can help a building meet the requirements of Green Building Rating Systems, e.g. LEED®, BREEAM®, DGNB
- WRAS 2107018

|  |                                |               |
|--|--------------------------------|---------------|
|  | Brushed Platinum               | 36 863 782-06 |
|  | Chrome                         | 36 863 782-00 |
|  | Platinum                       | 36 863 782-08 |
|  | Dark Chrome                    | 36 863 782-19 |
|  | Brushed Durabronze (23kt Gold) | 36 863 782-28 |
|  | Brushed Champagne (22kt Gold)  | 36 863 782-46 |
|  | Champagne (22kt Gold)          | 36 863 782-47 |
|  | Brushed Dark Platinum          | 36 863 782-99 |

**Required miscellaneous**



**Concealed wall-mounted single-lever mixer mixer on right -** 35 816 970 90  
 •NOTE:Not suitable for concealed installation.Connection by means of angle valves, mounted with screws to back wall.

**Required miscellaneous**

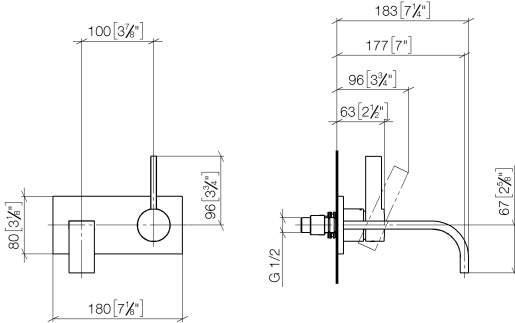


**Concealed wall-mounted single-lever mixer -** 35 860 970 90  
 •max. recess depth 95 mm  
 •min. recess depth 80 mm

**MEM Wall-mounted single-lever basin mixer with cover plate without pop-up waste - Brushed Platinum**

MEM

36 863 782  
mm [inches]



**Flow rate chart**



**Codes & Standards**

DIN 4109

EN 817

ISO 3822

Scottish Water  
Byelaws

UK Water Supply  
Regulations

Ü-Zeichen



MEM Wall-mounted single-lever basin mixer with cover plate without pop-up waste - Brushed Platinum

---

MEM

36 863 782

Certificates

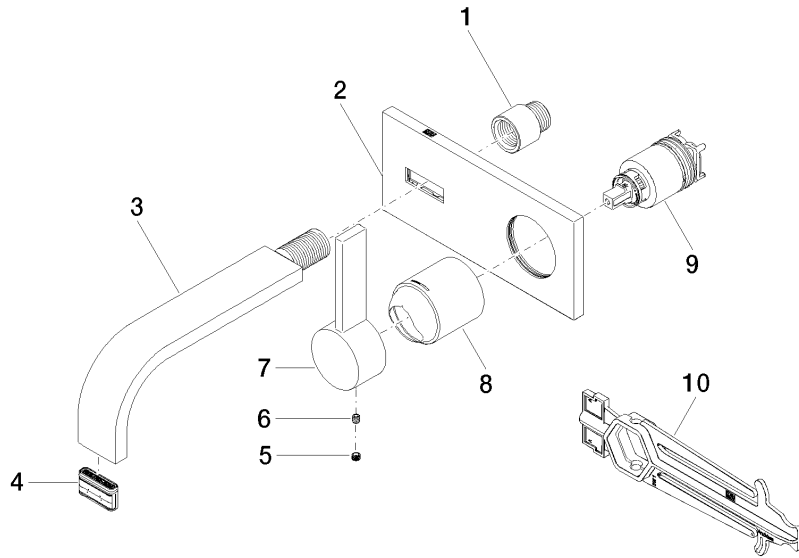
---

LGA\_29

WRAS\_2107

DVGW\_DW-  
6512DN0

36 863 782





MEM Wall-mounted single-lever basin mixer with cover plate without pop-up waste - Brushed Platinum

MEM

36 863 782

**Spare parts list**

| No. | Item Number        | Name   | Quantity used | Delivery time |
|-----|--------------------|--------|---------------|---------------|
|     | 09 24 03 072 10 90 | nipple | 10            | 2             |