

MEM Wall-mounted single-lever basin mixer with cover plate without pop-up waste - Dark Chrome

MEM

36 863 782



- 177mm projection
- fixed spout
- rectangular, air-enriched flow
- hole diameter spout 37 mm
- hole diameter single-lever mixer 57 mm
- cover plate 80 x 180 mm
- max. flow 5.7 l/min
- lead-free
- This product can help a building meet the requirements of Green Building Rating Systems, e.g. LEED®, BREEAM®, DGNB
- WRAS 2107018

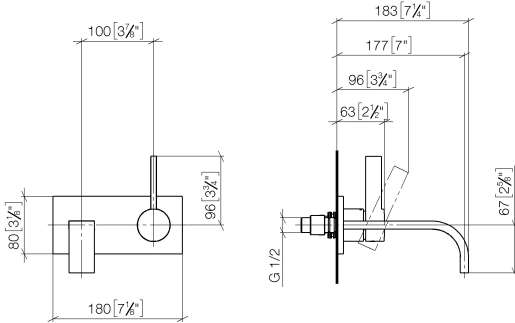
	Dark Chrome	36 863 782-19
	Chrome	36 863 782-00
	Brushed Platinum	36 863 782-06
	Platinum	36 863 782-08
	Brushed Durabronze (23kt Gold)	36 863 782-28
	Brushed Champagne (22kt Gold)	36 863 782-46
	Champagne (22kt Gold)	36 863 782-47
	Brushed Dark Platinum	36 863 782-99



MEM Wall-mounted single-lever basin mixer with cover plate without pop-up waste - Dark Chrome

MEM

36 863 782
mm [inches]



Flow rate chart



Codes & Standards

EN 817

Scottish Water
Byelaws

UK Water Supply
Regulations



MEM Wall-mounted single-lever basin mixer with cover plate without pop-up waste - Dark Chrome

MEM

36 863 782

Certificates

WRAS_2107

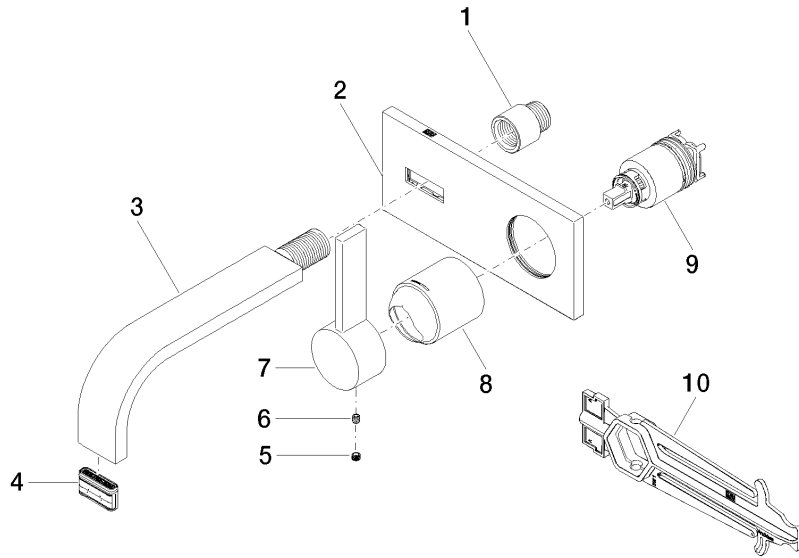
DVGW_DW-
6512DN0

MEM Wall-mounted single-lever basin mixer with cover plate without pop-up waste - Dark Chrome

MEM

36 863 782

Parts for other finishes can be found here: [Chrome](#)





MEM Wall-mounted single-lever basin mixer with cover plate without pop-up
waste - Dark Chrome

MEM

36 863 782

Spare parts list