

MEM Wall-mounted single-lever basin mixer with cover plate without pop-up waste - Champagne (22kt Gold)

MEM

36 863 782



- 177mm projection
- fixed spout
- rectangular, air-enriched flow
- hole diameter spout 37 mm
- hole diameter single-lever mixer 57 mm
- cover plate 80 x 180 mm
- max. flow 5.7 l/min
- lead-free
- This product can help a building meet the requirements of Green Building Rating Systems, e.g. LEED®, BREEAM®, DGNB
- WRAS 2107018

	Champagne (22kt Gold)	36 863 782-47
	Chrome	36 863 782-00
	Brushed Platinum	36 863 782-06
	Platinum	36 863 782-08
	Dark Chrome	36 863 782-19
	Brushed Durabross (23kt Gold)	36 863 782-28
	Brushed Champagne (22kt Gold)	36 863 782-46
	Brushed Dark Platinum	36 863 782-99

Required miscellaneous



Concealed wall-mounted single-lever mixer mixer on right - 35 816 970 90
 •NOTE:Not suitable for concealed installation.Connection by means of angle valves, mounted with screws to back wall.

Required miscellaneous



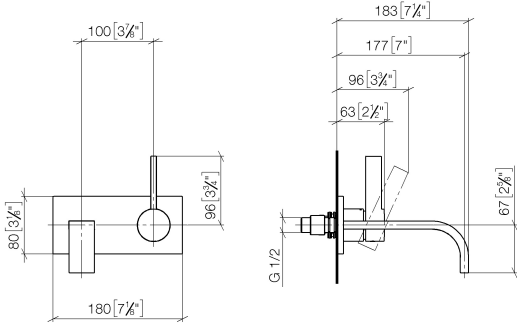
Concealed wall-mounted single-lever mixer - 35 860 970 90
 •max. recess depth 95 mm
 •min. recess depth 80 mm



MEM Wall-mounted single-lever basin mixer with cover plate without pop-up waste - Champagne (22kt Gold)

MEM

36 863 782
mm [inches]



Flow rate chart



Codes & Standards

EN 817

Scottish Water
Byelaws

UK Water Supply
Regulations



MEM Wall-mounted single-lever basin mixer with cover plate without pop-up waste - Champagne (22kt Gold)

MEM

36 863 782

Certificates

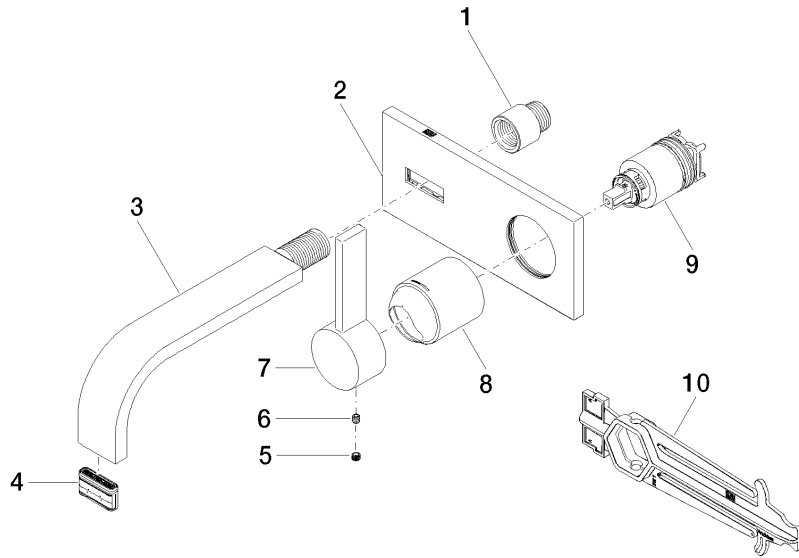
WRAS_2107

DVGW_DW-
6512DN0

MEM Wall-mounted single-lever basin mixer with cover plate without pop-up waste - Champagne (22kt Gold)

MEM

36 863 782





MEM Wall-mounted single-lever basin mixer with cover plate without pop-up waste - Champagne (22kt Gold)

MEM

36 863 782

Spare parts list

No.	Item Number	Name	Quantity used	Delivery time
	09 24 03 072 10 90	nipple	10	2