

RAIN SKY M Rain panel for recessed ceiling installation - Brushed Stainless Steel



IMO

41 100 979



Fits: IMO, LULU, MADISON, MEM, TARA, CL.1, LISSÉ, VAIA, META, CYO

- Rain panel with 3 different flow modes
- PURIFY RAIN, 200 x 160 mm, max. flow rate 23.5 l/min (at 3 bar)
- FULL RAIN, 360 x 280 mm, max. flow rate 13.6 l/min (at 3 bar)
- rain curtain 720 x 540mm, 124 nozzles
- cover plate, stainless steel 1020 x 820 x 2 mm
- 3x flexible connection hose 1/2" - female thread
- 4x M 10 heavy-duty bolt
- pre-fitted, stainless steel enclosure 990 x 790 x 128 mm
- 2 hinges and safety chains

	Brushed Stainless Steel	41 100 979-86
	Stainless Steel	41 100 979-85

technical data:

- minimum flow rate: 35 l/min (all three rain modes together)
- flow at 3bar flow pressure in conjunction with xTOOL: 43l/min
- minimum flow pressure 2 bar
- max. flow pressure 4 bar
- weight: 50kg

technical data:

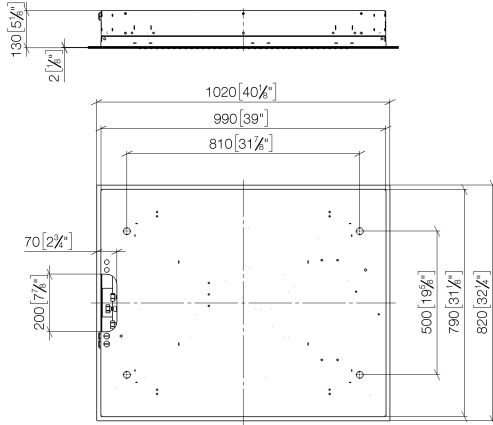
plumbing:

- recommended water hardness: 6-7 °dH - if the water is harder, integrate a water softener that uses the ion exchange principle into the feed pipe.
- for the optimum choice of hot water storage device - taking into consideration additional drawing-off points and the frequency with which RainSky M is used - the specific demand needs to be assessed.
- for choosing the drainage, taking into consideration the discharge of all the products in the shower, the specific demand needs to be assessed. Recommendation: Floor drain (connected rating) = 1.5l/sec, drainage rate DN 70
- feed pipe (hot/cold): 2x DN 20

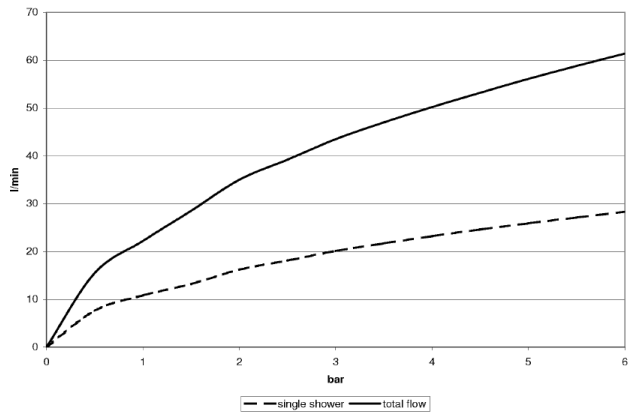
electrical:

- earth-leakage circuit-breaker 30 mA provided
- feeder 3 x 1.5mm² NYM
- equipotential bonding 1 x 4mm²
- customer must provide a light switch outside the shower area (outside safety zone 2 under DIN VDE 0100, Part 701)

41 100 979
mm [inches]
M 1:10



Flow rate chart



Codes & Standards

DIN 4109

ISO 3822

Ü-Zeichen



RAIN SKY M Rain panel for recessed ceiling installation - Brushed Stainless Steel

IMO

41 100 979
Certificates

LGA_18



RAIN SKY M Rain panel for recessed ceiling installation - Brushed Stainless Steel

IMO

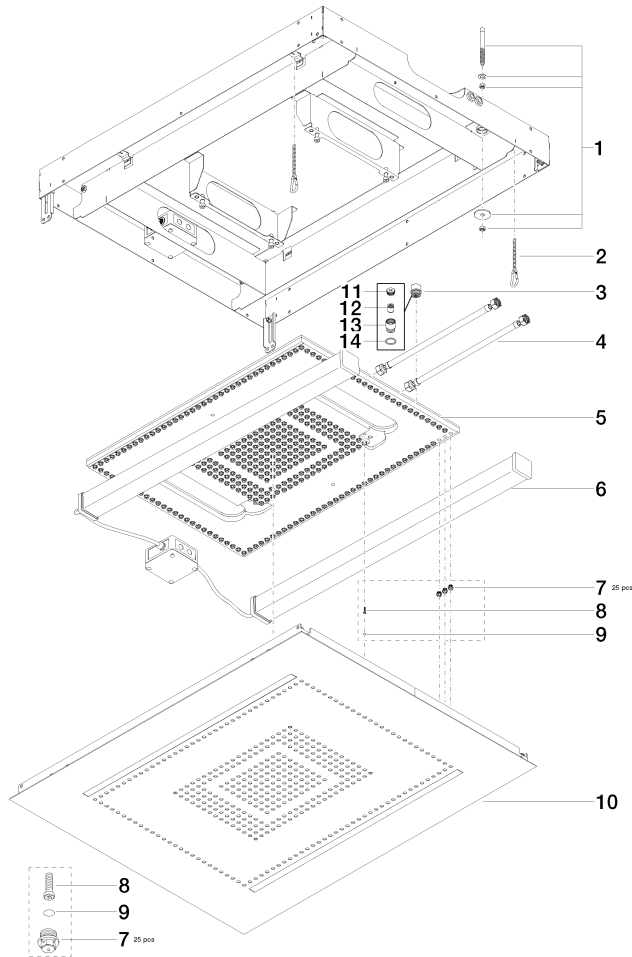
41 100 979

Product version up to 11/4/2019

Product version from 11/4/2019 to 9/30/2023

Product version from 10/1/2023

Parts for other finishes can be found here: [Stainless Steel](#)





RAIN SKY M Rain panel for recessed ceiling installation - Brushed Stainless Steel

IMO

41 100 979

Spare parts list

Product version up to 11/4/2019

Product version from 11/4/2019 to 9/30/2023

Product version from 10/1/2023

No.	Item Number	Name	Quantity used	Delivery time
	04 30 35 006 01 90	fixing set	57	2