



BIG RAIN Rain panel for ceiling installation or ceiling substructure installation - Brushed Stainless Steel

IMO

41 400 979



- Rain panel with 2 different spray modes
- PURIFY RAIN, 200 x 160 mm, max. flow rate 23.5 l/min (at 3 bar)
- FULL RAIN, 360 x 280 mm, max. flow rate 13.6 l/min (at 3 bar)
- cover plate, stainless steel 600 x 480 mm
- 2x flexible connection hose 1/2" - female thread
- 4x mounting pin
- pre-fitted stainless steel enclosure
- with anti-scale system

	Brushed Stainless Steel	41 400 979-86
	Stainless Steel	41 400 979-85

Fits: IMO, LULU, MADISON, MEM, TARA, CL.1, LISSÉ, VAIA, META, CYO

technical data:

- minimum flow rate 25 l/min (both rain modes together)
- flow at 3bar flow pressure in conjunction with xTOOL: 39l/min
- minimum flow pressure 2 bar
- max. flow pressure 4 bar
- weight: 12kg

technical data:

plumbing:

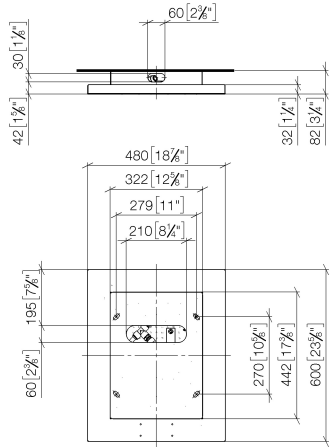
- recommended water hardness: 6-7 °dH - if the water is harder, integrate a water softener that uses the ion exchange principle into the feed pipe.
- for choosing the drainage, taking into consideration the discharge of all the products in the shower, the specific demand needs to be assessed.
Recommendation: Floor drain (connected rating) = 1l/sec, drainage rate DN 50
- feed pipe (hot/cold): 2x DN 20
- for the optimum choice of hot water storage device - taking into consideration additional drawing-off points and the frequency with which BigRain is used - the specific demand needs to be assessed.

Recommended miscellaneous



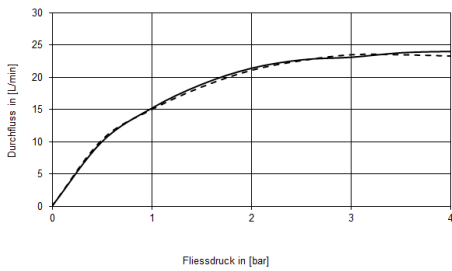
- BIG RAIN Cover for supply pipes - 12 940 979-86**
Brushed Stainless Steel
- length 450-480 mm
 - for ceiling substructure installation
 - stainless steel cover 125 x 50 mm

41 400 979
mm [inches]



Flow rate chart

Durchflussdiagramm



Codes & Standards

DIN 4109

ISO 3822

Ü-Zeichen



**BIG RAIN Rain panel for ceiling installation or ceiling substructure installation -
Brushed Stainless Steel**

IMO

41 400 979

Certificates

LGA_18

**BIG RAIN Rain panel for ceiling installation or ceiling substructure installation -
Brushed Stainless Steel**

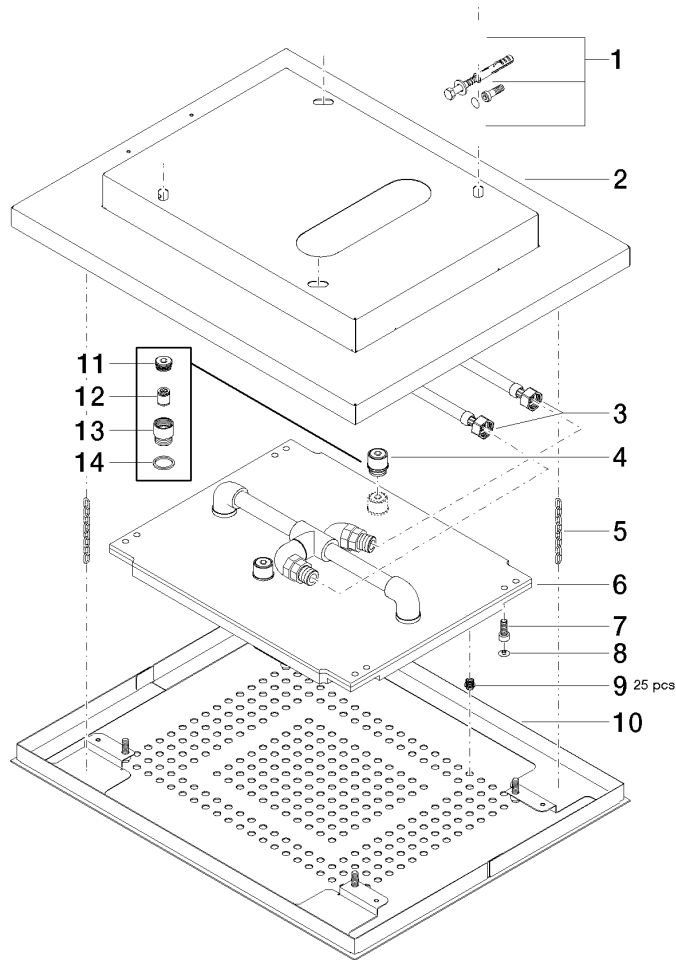
41 400 979

Product version up to 11/4/2019

Product version from 11/4/2019 to 4/1/2021

Product version from 4/1/2021

Parts for other
finishes can be found
here: [Stainless Steel](#)





**BIG RAIN Rain panel for ceiling installation or ceiling substructure installation -
Brushed Stainless Steel**

IMO

41 400 979

Spare parts list

Product version up to 11/4/2019

Product version from 11/4/2019 to 4/1/2021

Product version from 4/1/2021

No.	Item Number	Name	Quantity used	Delivery time
	04 30 35 010 00 90	fixing set	30	2