

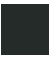




EDITION PRO Bath grip - Matte Black

83 020 626



- gauge 200 mm
- width 241mm
- height 41 mm
- rosette Ø 41 mm
- 75mm projection

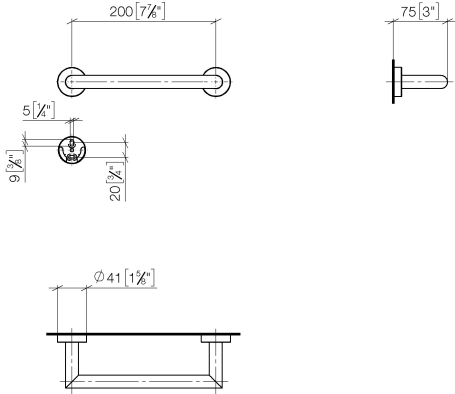
| | | |
|--|----------------|---------------|
|  | Matte Black | 83 020 626-33 |
|  | Chrome | 83 020 626-00 |
|  | Brushed Chrome | 83 020 626-93 |



EDITION PRO Bath grip - Matte Black

83 020 626

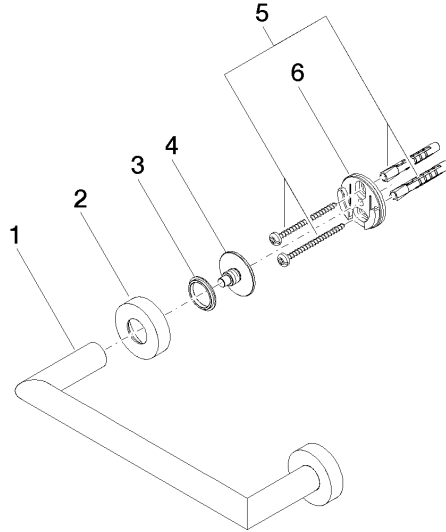
mm [inches]



EDITION PRO Bath grip - Matte Black

83 020 626

Parts for other
finishes can be found
here: [Chrome](#)





EDITION PRO Bath grip - Matte Black

83 020 626

Spare parts list

| No. | Item Number | Name | Quantity used | Delivery time |
|-----|--------------------|--------|---------------|---------------|
| | 05 28 22 545 00-33 | holder | 10 | 30 |