






## EDITION PRO Bath grip - Brushed Chrome

---

83 020 626



- gauge 200 mm
- width 241mm
- height 41 mm
- rosette Ø 41 mm
- 75mm projection

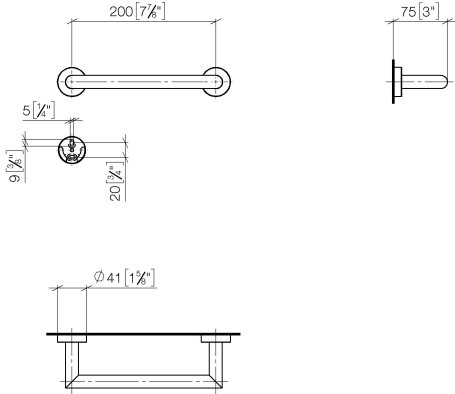
	Brushed Chrome	83 020 626-93
	Chrome	83 020 626-00
	Matte Black	83 020 626-33



# EDITION PRO Bath grip - Brushed Chrome

83 020 626

mm [inches]

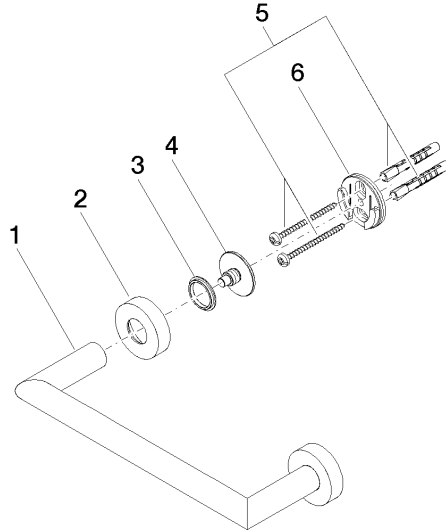


## EDITION PRO Bath grip - Brushed Chrome

---

83 020 626

Parts for other  
finishes can be found  
here: [Chrome](#)





## EDITION PRO Bath grip - Brushed Chrome

---

83 020 626

### Spare parts list

No.	Item Number	Name	Quantity used	Delivery time
	05 28 22 545 00-93	holder	10	20