

Pop-up waste and overflow with electronic control - Stainless Steel

10 410 003



- 3½" electronic drain valve (TouchFlow)
- button integrated in overflow
- concealed overflow
- strainer insert

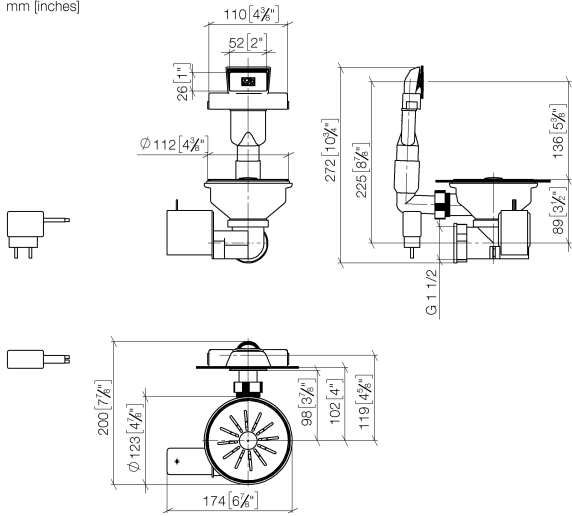
Only suitable for combining with polished high-grade steel kitchen sinks.

Socket adapter required for 2-pin EU to 3-pin UK plug

Pop-up waste and overflow with electronic control - Stainless Steel

10 410 003

mm [inches]



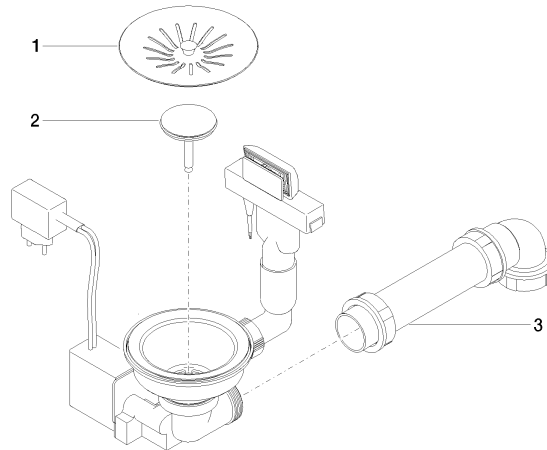


Pop-up waste and overflow with electronic control - Stainless Steel

10 410 003

Product version up to 4/30/2020

Product version from 4/30/2020





Pop-up waste and overflow with electronic control - Stainless Steel

10 410 003

Spare parts list

Product version up to 4/30/2020

Product version from 4/30/2020

No.	Item Number	Name	Quantity used	Delivery time
	90 11 01 201 06-85	cover	3	60