

**WATER FALL Cascade spout with individual jets for wall mounting - Brushed Bronze**


13 425 979 Product version from 10/1/2023




- 22mm projection
- PEARLSTREAM
- plate 240 mm x 60 mm
- connection 1/2", for shortening
- plug-link mounting
- Max. flow rate 9.5 l/min (at 3 bar)

	Brushed Bronze	13 425 979-42
	Chrome	13 425 979-00
	Brushed Platinum	13 425 979-06
	Platinum	13 425 979-08
	Dark Chrome	13 425 979-19
	Light Gold	13 425 979-26
	Brushed Light Gold	13 425 979-27
	Brushed Durabrass (23kt Gold)	13 425 979-28
	Matte Black	13 425 979-33
	Brushed Champagne (22kt Gold)	13 425 979-46
	Champagne (22kt Gold)	13 425 979-47
	Brushed Chrome	13 425 979-93
	Brushed Dark Platinum	13 425 979-99

**Recommended miscellaneous**

	<b>Concealed wall elbow -</b> • min. recess depth mm • max. recess depth mm	35 085 970 90
---	---	---------------

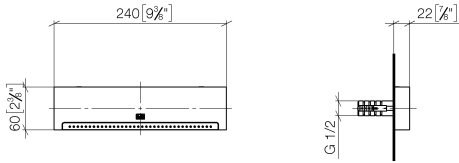
**Recommended miscellaneous**

	<b>Concealed wall elbow -</b> • min. recess depth mm • max. recess depth mm	35 085 970 90
---	---	---------------

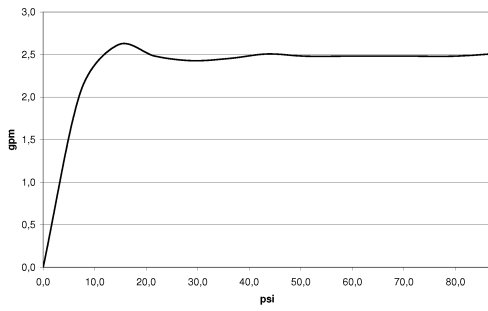


# WATER FALL Cascade spout with individual jets for wall mounting - Brushed Bronze

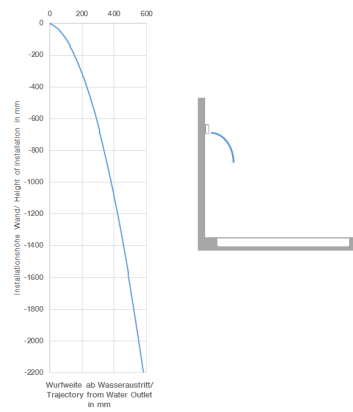
13 425 979 Product version from 10/1/2023  
mm [inches]



Flow rate chart



Trajectory diagram



## Codes & Standards

ASME A112.18.1

cUPC

DIN 4109

ISO 3822

## Ü-Zeichen



## WATER FALL Cascade spout with individual jets for wall mounting - Brushed Bronze

---

13 425 979 Product version from 10/1/2023

### Certificates

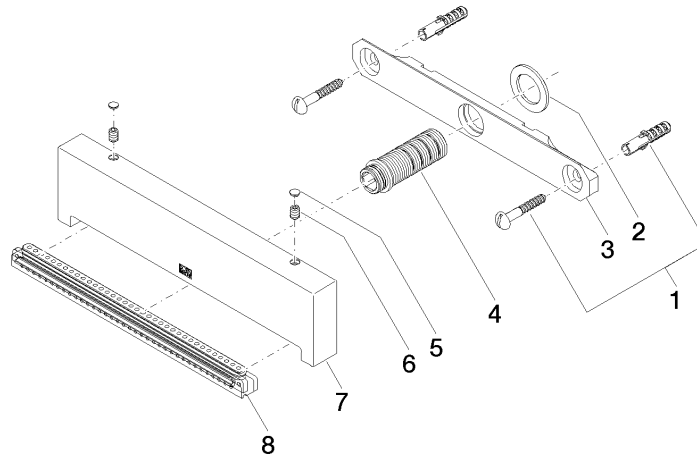
---

LGA\_19

IAPMO\_4976

**WATER FALL Cascade spout with individual jets for wall mounting - Brushed Bronze**

13 425 979 Product version from 10/1/2023



**Spare parts list**

No.	Item Number	Name	Quantity used	Delivery time
1	04 30 31 024 01 90	fixing set	1	2
2	09 14 05 009 90	seal	1	2
3	09 17 97 053 90	holder	1	2
4	90 24 03 199 00 90	connection	1	2
5	90 31 20 087 00-42	plug	1	30
6	09 31 11 144 90	pin	2	2
7	09 17 01 185 20-42	spout	1	60
8	90 29 03 071 00 90	insert	1	2