

## MEM Deck-mounted basin spout with pop-up waste - Chrome

13 715 782 Product version from 7/1/2021



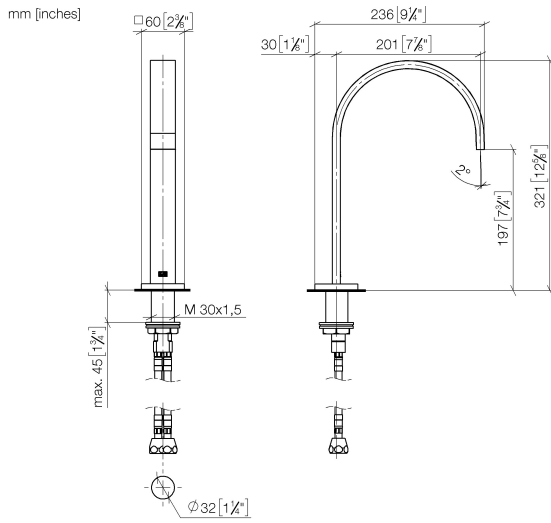
- 200mm projection
- fixed spout
- rectangular, air-enriched flow
- height of mixer 321 mm
- height up to aerator 190 mm
- hole diameter 35 mm
- 2x screw-in M 10 x 1 pressure hose, leak-tested
- rosette 60 x 60 mm
- max. flow 5.7 l/min
- lead-free
- This product can help a building meet the requirements of Green Building Rating Systems, e.g. LEED®, BREEAM®, DGNB

Only suitable for basins with an overflow.

	Chrome	13 715 782-00
	Brushed Platinum	13 715 782-06
	Platinum	13 715 782-08
	Dark Chrome	13 715 782-19
	Brushed Durabronze (23kt Gold)	13 715 782-28
	Brushed Champagne (22kt Gold)	13 715 782-46
	Champagne (22kt Gold)	13 715 782-47
	Brushed Dark Platinum	13 715 782-99

**MEM Deck-mounted basin spout with pop-up waste - Chrome**

13 715 782 Product version from 7/1/2021



**Flow rate chart**



**Codes & Standards**

Executive Order  
no. 1007



## MEM Deck-mounted basin spout with pop-up waste - Chrome

---

13 715 782 Product version from 7/1/2021

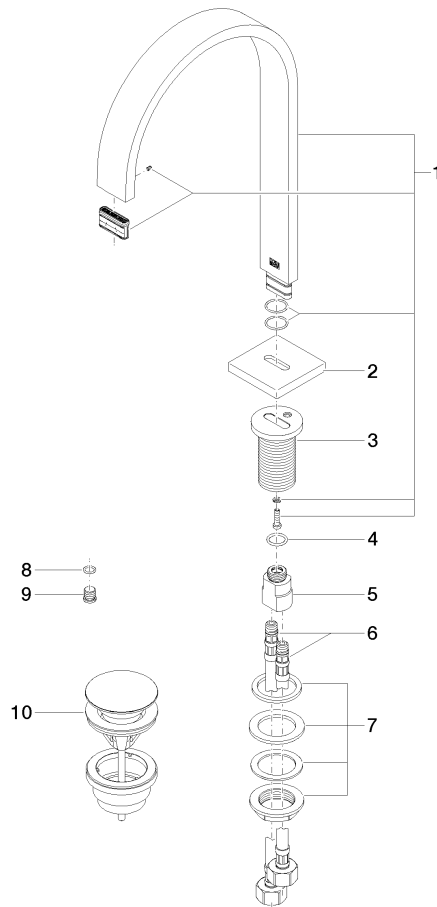
### Certificates

---

GDV\_0400

## MEM Deck-mounted basin spout with pop-up waste - Chrome

13 715 782 Product version from 7/1/2021



### Spare parts list

No.	Item Number	Name	Quantity used	Delivery time
1	90 28 22 155 01-00	spout	1	10
2	09 27 78 034-00	rosette	1	10
3	09 11 10 054 10 90	connection	1	2
4	09 14 10 130 90	seal	1	2
5	09 11 10 055 10 90	connection	1	2
6	04 30 04 019 00 90	hose	2	2
7	04 23 10 009 01 90	fixing set	1	2
8	90 14 10 060 00 90	seal	1	2
9	09 31 20 065 90	plug	1	2
10	10 125 970-00	Basin Waste with push fastening 1 1/4" - Chrome	1	2