

19 825 809



- 241mm projection
- pivotable spout 360°
- air-enriched flow
- max. flow 7 l/min at 3 bar flow pressure
- lead-free
- This product can help a building meet the requirements of Green Building Rating Systems, e.g. LEED®, BREEAM®, DGNB

Two-hole mixer for combining with rinsing/Profi spray only

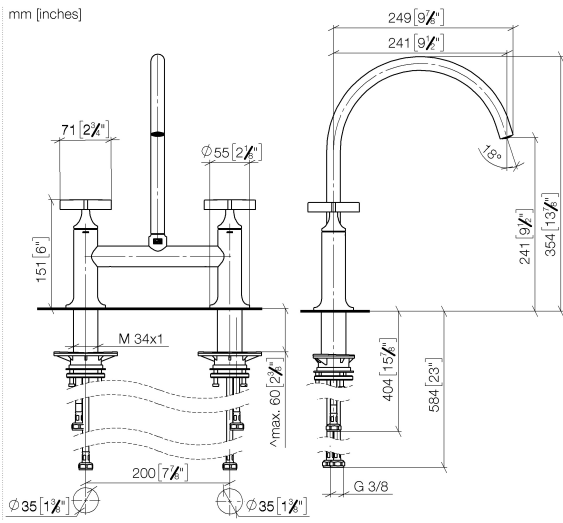
|  |                               |               |
|--|-------------------------------|---------------|
|    | Dark Chrome                   | 19 825 809-19 |
|    | Chrome                        | 19 825 809-00 |
|    | Brushed Platinum              | 19 825 809-06 |
|    | Platinum                      | 19 825 809-08 |
|    | Durabrass (23kt Gold)         | 19 825 809-09 |
|    | Brushed Durabrass (23kt Gold) | 19 825 809-28 |
|    | Matte Black                   | 19 825 809-33 |
|    | Brushed Champagne (22kt Gold) | 19 825 809-46 |
|    | Champagne (22kt Gold)         | 19 825 809-47 |
|   | Brushed Chrome                | 19 825 809-93 |
|  | Brushed Dark Platinum         | 19 825 809-99 |

**Recommended miscellaneous**

**VAIA Dispenser with rosette - Dark Chrome** 82 434 809-19



19 825 809



Flow rate chart



Codes & Standards

DIN 4109

ISO 3822

Ü-Zeichen



VAIA Two-hole bridge mixer for rinsing/Profi spray - Dark Chrome

---

VAIA

19 825 809

Certificates

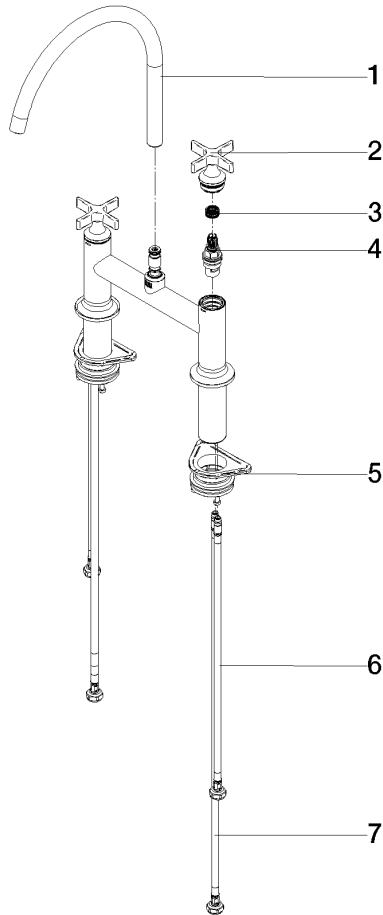
---

LGA\_38

19 825 809

**Product version from 7/1/2023**

Parts for other  
finishes can be found  
here: [Chrome](#)





VAIA Two-hole bridge mixer for rinsing/Profi spray - Dark Chrome

VAIA

19 825 809

**Spare parts list**

**Product version from 7/1/2023**

| No. | Item Number        | Name  | Quantity used | Delivery time |
|-----|--------------------|-------|---------------|---------------|
|     | 90 28 22 396 00-19 | spout | 13            | 20            |