

20 705 882

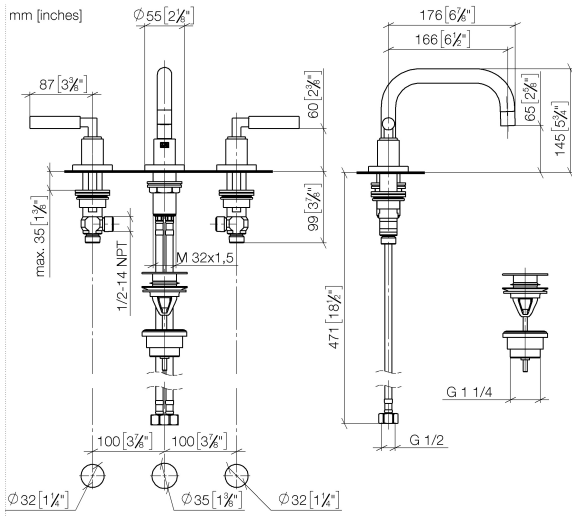


- 166mm projection
- pivotable spout 360°
- circular, air-enriched flow
- height of mixer 145 mm
- height up to aerator 65 mm
- hole diameter valve 32 mm
- hole diameter spout 35 mm
- rosette Ø 55 mm
- 2x screw-in M 10 x 1 pressure hose, leak-tested
- max. flow 5.7 l/min
- lead-free
- This product can help a building meet the requirements of Green Building Rating Systems, e.g. LEED®, BREEAM®, DGNB
- WRAS 2303029

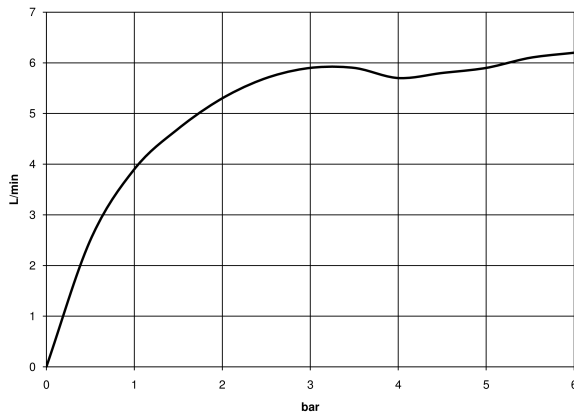
Only suitable for basins with an overflow.

	Matte Black	20 705 882-33
	Chrome	20 705 882-00
	Brushed Platinum	20 705 882-06
	Platinum	20 705 882-08
	Dark Chrome	20 705 882-19
	Brushed Durabronze (23kt Gold)	20 705 882-28
	Brushed Bronze	20 705 882-42
	Brushed Champagne (22kt Gold)	20 705 882-46
	Champagne (22kt Gold)	20 705 882-47
	Brushed Chrome	20 705 882-93
	Brushed Dark Platinum	20 705 882-99

20 705 882



Flow rate chart



Codes & Standards

DIN 4109	Executive Order no. 1007	ISO 3822	Scottish Water Byelaws
UK Water Supply Regulations	Ü-Zeichen		



TARA Three-hole basin mixer with pop-up waste - Matte Black

TARA

20 705 882

Certificates

WRAS_2303

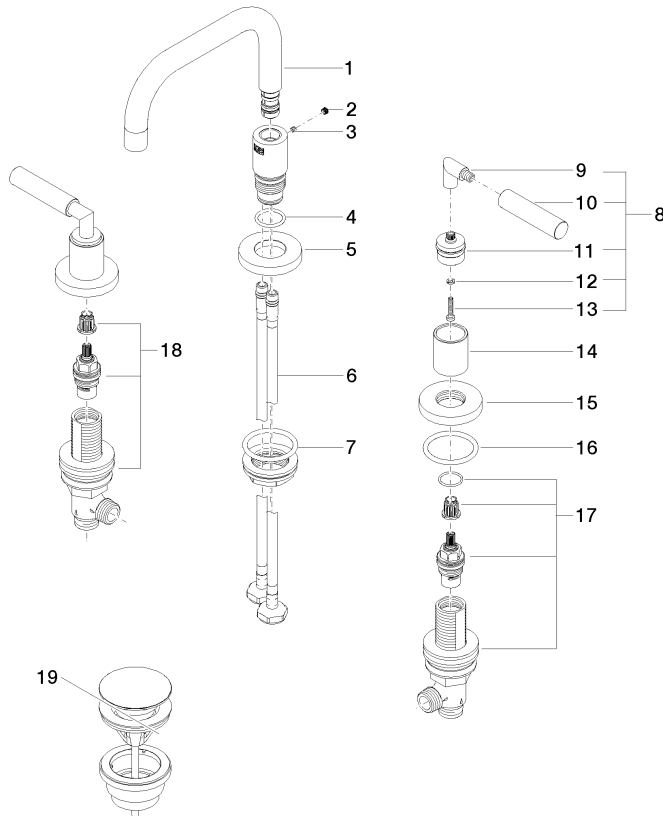
LGA_38

GDV_0400

20 705 882

Product version from 4/1/2024

Parts for other finishes can be found here: Chrome





TARA Three-hole basin mixer with pop-up waste - Matte Black

TARA

20 705 882

Spare parts list

Product version from 4/1/2024

No.	Item Number	Name	Quantity used	Delivery time
	90 28 22 370 00-33	spout	29	30