

CYO Three-hole basin mixer with pop-up waste - Durabronss / Brushed Durabronss (23kt Gold)



CYO

20 713 811

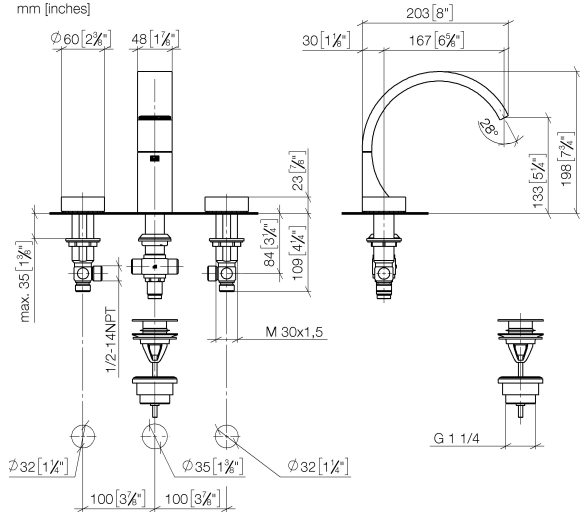


- 167mm projection
- fixed spout
- rectangular, air-enriched flow
- height of mixer 198 mm
- height up to aerator 133 mm
- hole diameter spout 35 mm
- hole diameter valve 32 mm
- handle Ø 60mm
- max. flow 4.5 l/min
- lead-free
- This product can help a building meet the requirements of Green Building Rating Systems, e.g. LEED®, BREEAM®, DGNB
- WRAS 2111022

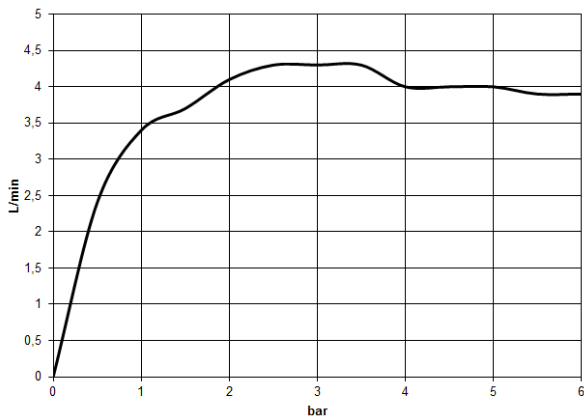
NOTE: The handle inserts must be ordered separately from the fittings!

| | | |
|--|--|---------------|
|  | Durabronss / Brushed Durabronss (23kt Gold) | 20 713 811-38 |
|  | Chrome | 20 713 811-00 |
|  | Brushed Platinum | 20 713 811-06 |
|  | Dark Chrome | 20 713 811-19 |
|  | Brushed Durabronss (23kt Gold) | 20 713 811-28 |
|  | Platinum / Brushed Platinum | 20 713 811-36 |
|  | Brushed Dark Platinum | 20 713 811-99 |

20 713 811
mm [inches]



Flow rate chart



Codes & Standards

DIN 4109

ISO 3822

Scottish Water
Byelaws

UK Water Supply
Regulations

Ü-Zeichen



CYO Three-hole basin mixer with pop-up waste - Durabronn / Brushed
Durabronn (23kt Gold)

CYO

20 713 811
Certificates

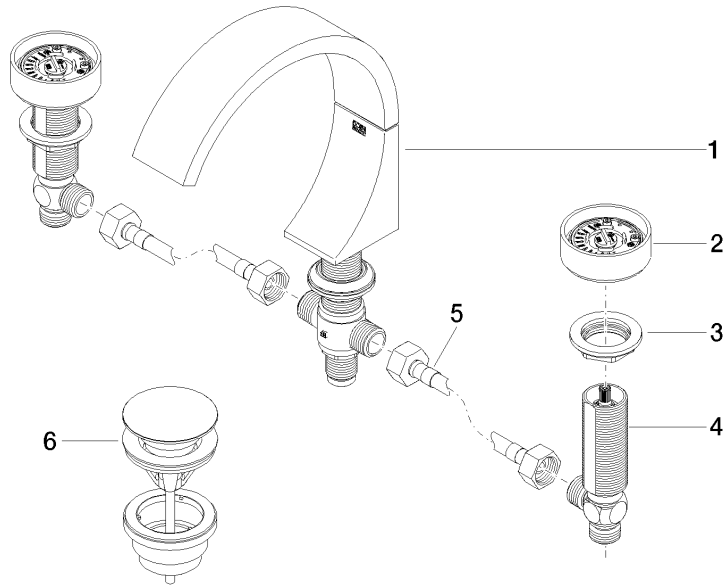
WRAS_2111

LGA_38

CYO Three-hole basin mixer with pop-up waste - Durabronz / Brushed
Durabronz (23kt Gold)

20 713 811

Parts for other
finishes can be found
here: [Chrome](#)





CYO Three-hole basin mixer with pop-up waste - Durabross / Brushed Durabross (23kt Gold)

CYO

20 713 811

Spare parts list

| No. | Item Number | Name | Quantity used | Delivery time |
|-----|---------------|---|---------------|---------------|
| | 13 717 811-38 | CYO Deck-mounted basin spout without pop-up waste - Durabross / Brushed Durabross (23kt Gold) | 10 | 20 |