

MEM Three-hole basin mixer with pop-up waste - Brushed Durabronz (23kt Gold)


MEM

20 715 782



- 200mm projection
- fixed spout
- rectangular, air-enriched flow
- height of mixer 320 mm
- height up to aerator 195 mm
- hole diameter spout 35 mm
- hole diameter valve 32 mm
- rosette 60 x 60 mm
- 2x screw-in M 10 x 1 pressure hose, leak-tested
- max. flow 8.3 l/min
- lead-free
- This product can help a building meet the requirements of Green Building Rating Systems, e.g. LEED®, BREEAM®, DGNB
- WRAS 2306057

Only suitable for basins with an overflow.

	Brushed Durabronz (23kt Gold)	20 715 782-28
	Chrome	20 715 782-00
	Brushed Platinum	20 715 782-06
	Platinum	20 715 782-08
	Dark Chrome	20 715 782-19
	Brushed Champagne (22kt Gold)	20 715 782-46
	Champagne (22kt Gold)	20 715 782-47
	Brushed Dark Platinum	20 715 782-99

Recommended miscellaneous



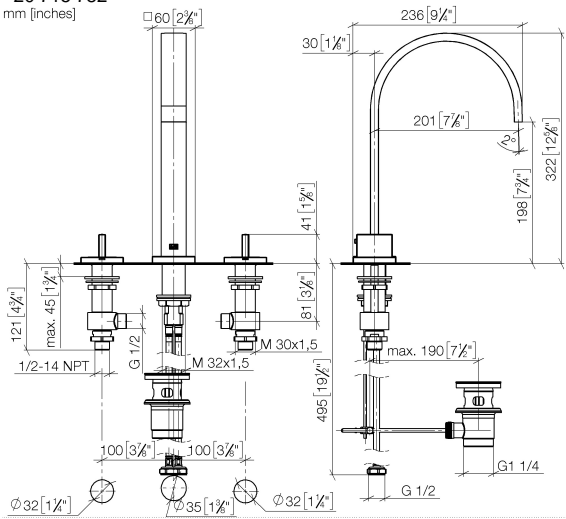
High pressure hoses -
● 2x 3/8" x 1/2" x 500mm high pressure hose

12 506 970 90

MEM Three-hole basin mixer with pop-up waste - Brushed Durabronz (23kt Gold)

MEM

20 715 782
mm [inches]



Flow rate chart



Codes & Standards

DIN 4109

EN 200

Executive Order
no. 1007

ISO 3822

Scottish Water
Byelaws

UK Water Supply
Regulations

Ü-Zeichen

VA-Zeichen



MEM Three-hole basin mixer with pop-up waste - Brushed Durabronz (23kt Gold)

MEM

20 715 782

Certificates

ETA_18

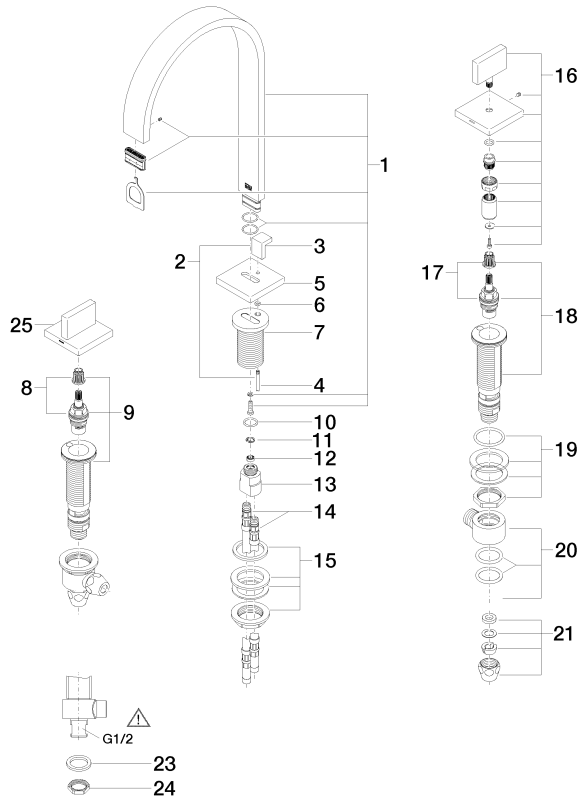
WRAS_2306

GDV_0400

LGA_18

20 715 782

Product version from 3/10/2014



22 Alle Angaben für 24.11.01.001.00-R



MEM Three-hole basin mixer with pop-up waste - Brushed Durabronz (23kt Gold)

MEM

20 715 782

Spare parts list

Product version from 3/10/2014

No.	Item Number	Name	Quantity used	Delivery time
	90 28 22 155 00-28	spout	33	20