

TARA Three-hole mixer - Brushed Platinum

20 816 892 Product version from 4/1/2024



- 235mm projection
- pivotable spout 360°
- air-enriched flow
- height of mixer 370 mm
- height up to aerator 212 mm
- hole diameter spout 35 mm
- hole diameter valve 32 mm
- max. flow 7 l/min at 3 bar flow pressure
- lead-free
- This product can help a building meet the requirements of Green Building Rating Systems, e.g. LEED®, BREEAM®, DGNB

	Brushed Platinum	20 816 892-06
	Chrome	20 816 892-00
	Platinum	20 816 892-08
	Durabronze (23kt Gold)	20 816 892-09
	Dark Chrome	20 816 892-19
	Brushed Durabronze (23kt Gold)	20 816 892-28
	Matte Black	20 816 892-33
	Brushed Bronze	20 816 892-42
	Brushed Champagne (22kt Gold)	20 816 892-46
	Champagne (22kt Gold)	20 816 892-47
	Brushed Chrome	20 816 892-93
	Brushed Dark Platinum	20 816 892-99

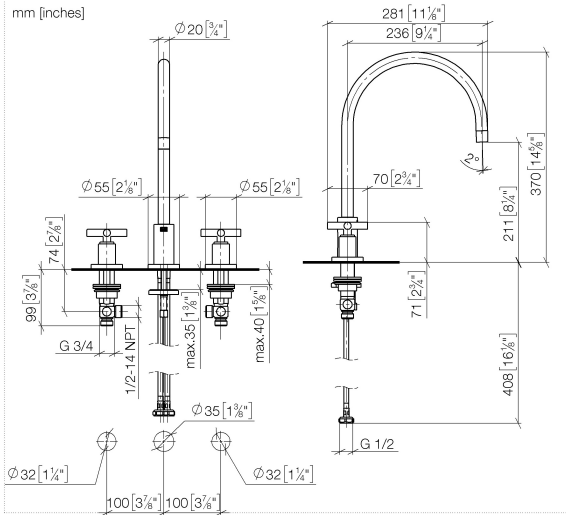
Recommended miscellaneous

Strainer waste with control handle 10 710 970-06
- Brushed Platinum



TARA Three-hole mixer - Brushed Platinum

20 816 892 Product version from 4/1/2024



Flow rate chart



Codes & Standards

DIN 4109

ISO 3822

Ü-Zeichen



TARA Three-hole mixer - Brushed Platinum

20 816 892 Product version from 4/1/2024

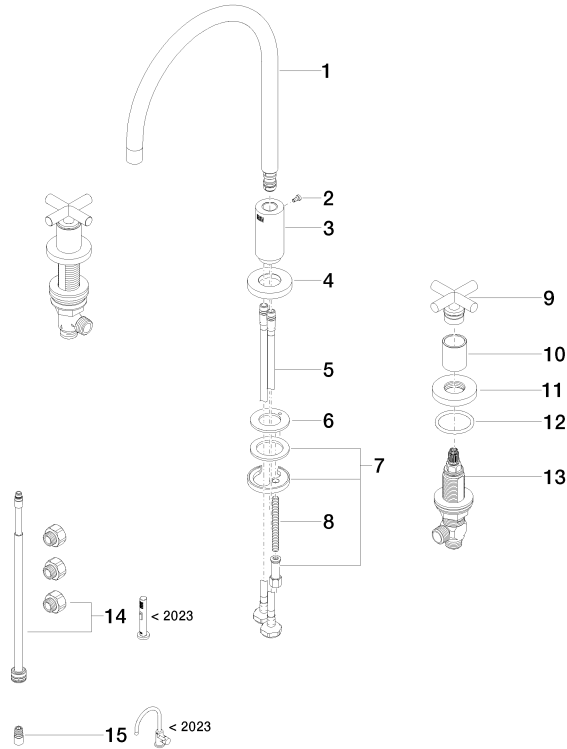
Certificates

LGA_38

TARA Three-hole mixer - Brushed Platinum

20 816 892 Product version from 4/1/2024

Parts for other finishes can be found here: [Chrome](#)



Spare parts list

No.	Item Number	Name	Quantity used	Delivery time
1	90 28 22 226 01-06	spout	1	10
2	09 30 30 057 90	screw	1	2
3	09 11 10 088 10-06	connection	1	10
4	09 28 10 140-06	ring	1	10
5	04 30 04 019 00 90	hose	2	2
6	09 14 05 047 90	seal	1	2
7	04 30 11 038 00 90	fixing set	1	2
8	09 31 11 011 90	pin	1	2
9	90 20 89 010 10-06	handle	2	10
10	09 21 02 140-06	sleeve	2	10
11	09 27 89 105-06	rosette	2	10
12	90 14 10 043 00 90	seal	2	2
13	90 17 11 040 51 90	side panel	2	2
14	90 17 09 046 13 90	conversion kit	1	2
15	90 24 03 537 01 90	adaptor	1	2