






22 500 360



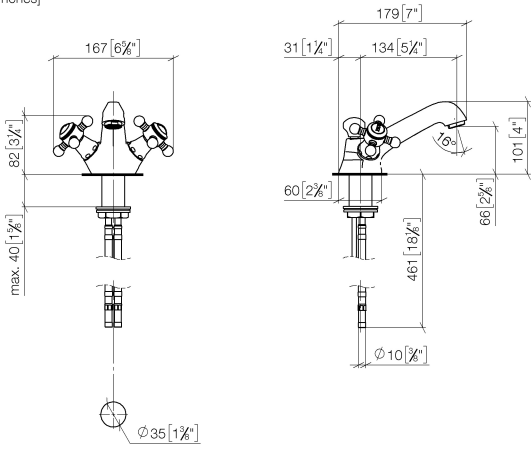
- 130mm projection
- fixed spout
- circular, air-enriched flow
- height of mixer 100 mm
- height up to aerator 65 mm
- hole diameter 35 mm
- 2x screw-in M 10 x 1 pressure hose, leak-tested
- max. flow 7 l/min
- lead-free
- This product can help a building meet the requirements of Green Building Rating Systems, e.g. LEED®, BREEAM®, DGNB
- WRAS 2107051

Only suitable for basins with an overflow.

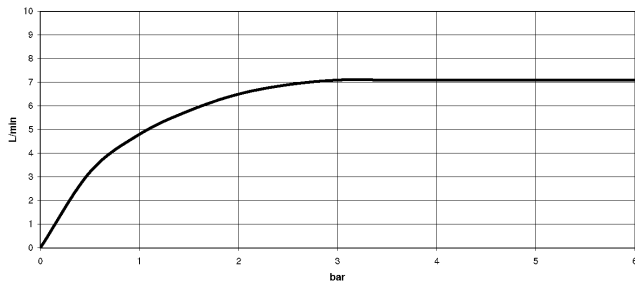
	Chrome	22 500 360-00
	Brushed Platinum	22 500 360-06
	Platinum	22 500 360-08
	Durabrace (23kt Gold)	22 500 360-09
	Brushed Durabrace (23kt Gold)	22 500 360-28
	Brushed Dark Platinum	22 500 360-99

22 500 360

mm [inches]



**Flow rate chart**



**Codes & Standards**

DIN 4109	EN 200	ISO 3822	Scottish Water Byelaws
UK Water Supply Regulations	Ü-Zeichen	VA-Zeichen	



**MADISON Single-hole basin mixer with pop-up waste - Chrome**

MADISON

22 500 360

Certificates

WRAS\_2107

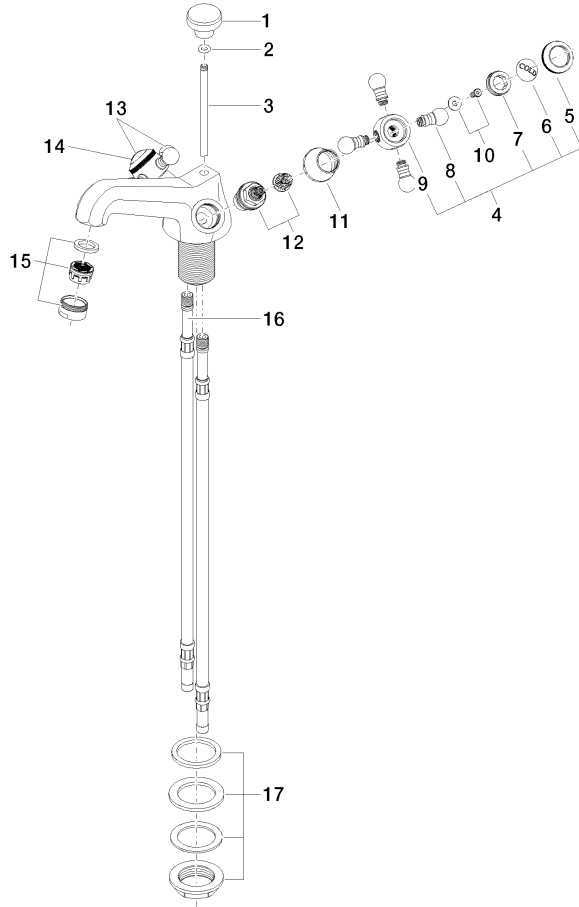
LGA\_8

ETA\_17

22 500 360

Product version from 7/31/2009 to 9/7/2021

**Product version from 9/1/2021**



18 — Abzugarnitur 04.11.01.001.00-#



MADISON Single-hole basin mixer with pop-up waste - Chrome

MADISON

22 500 360

Spare parts list

Product version from 7/31/2009 to 9/7/2021

**Product version from 9/1/2021**

No.	Item Number	Name	Quantity used	Delivery time
	09 20 36 030-00	handle	28	10