

22 512 892



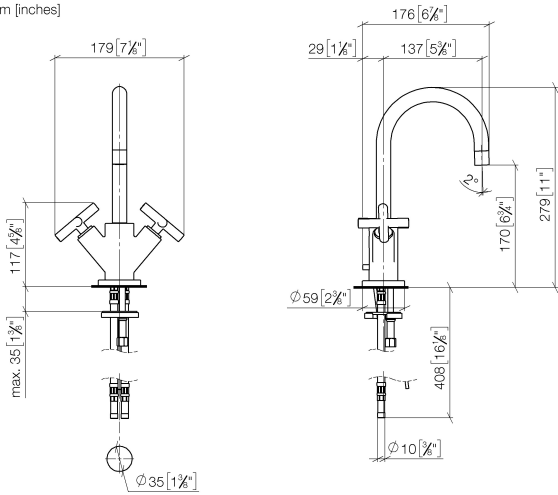
- 135mm projection
- pivotable spout 360°
- circular, air-enriched flow
- height of mixer 275 mm
- height up to aerator 168 mm
- hole diameter 35 mm
- rosette Ø 59 mm
- 2x screw-in M 10 x 1 pressure hose, leak-tested
- max. flow 7 l/min
- lead-free
- This product can help a building meet the requirements of Green Building Rating Systems, e.g. LEED®, BREEAM®, DGNB
- WRAS 1810003

Only suitable for basins with an overflow.

	Brushed Platinum	22 512 892-06
	Chrome	22 512 892-00
	Platinum	22 512 892-08
	Dark Chrome	22 512 892-19
	Brushed Durabronze (23kt Gold)	22 512 892-28
	Matte Black	22 512 892-33
	Brushed Bronze	22 512 892-42
	Brushed Champagne (22kt Gold)	22 512 892-46
	Champagne (22kt Gold)	22 512 892-47
	Brushed Chrome	22 512 892-93
	Brushed Dark Platinum	22 512 892-99

22 512 892

mm [inches]



Flow rate chart



Codes & Standards

DIN 4109

EN 200

Executive Order
no. 1007

ISO 3822

Scottish Water
Byelaws

UK Water Supply
Regulations

Ü-Zeichen

VA-Zeichen



TARA Single-hole basin mixer with pop-up waste - Brushed Platinum

TARA

22 512 892

Certificates

LGA_18

GDV_0400

ETA_18

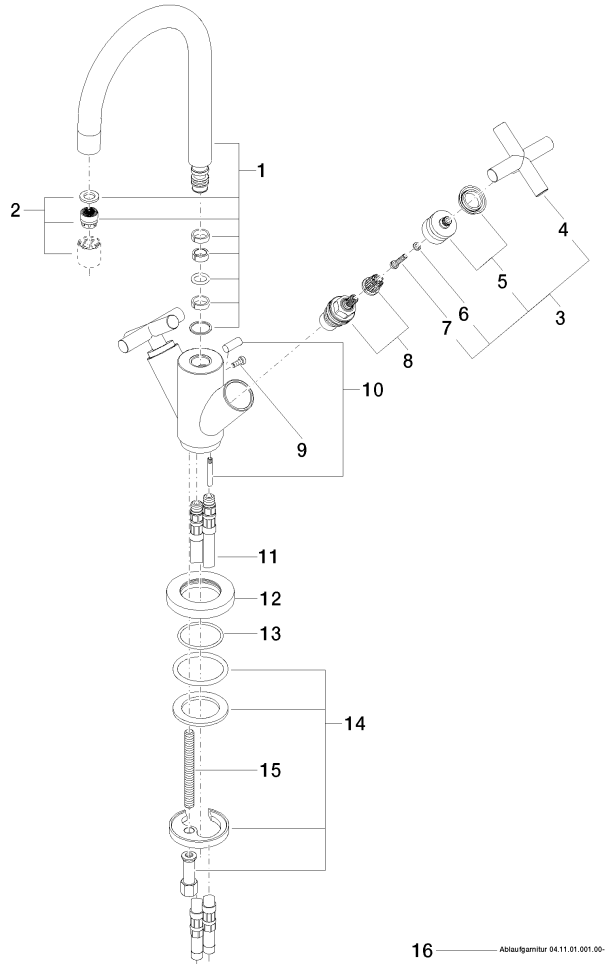
WRAS_1810

22 512 892

Product version from 6/30/2009 to 5/27/2021

Product version from 5/27/2021

Parts for other finishes can be found here: [Chrome](#)





TARA Single-hole basin mixer with pop-up waste - Brushed Platinum

TARA

22 512 892

Spare parts list

Product version from 6/30/2009 to 5/27/2021

Product version from 5/27/2021