

**META Single-lever basin mixer with stand pipe without pop-up waste - Matte Black**

META

22 584 660



- 196mm projection
- fixed spout
- circular, air-enriched flow
- total height 1033 - 1103 mm
- height up to aerator 951 – 1021 mm
- rosette Ø 135 mm
- max. flow 5.7 l/min
- lead-free
- This product can help a building meet the requirements of Green Building Rating Systems, e.g. LEED®, BREEAM®, DGNB
- WRAS 240102015

|  |                               |               |
|--|-------------------------------|---------------|
|    | Matte Black                   | 22 584 660-33 |
|    | Chrome                        | 22 584 660-00 |
|    | Brushed Platinum              | 22 584 660-06 |
|    | Dark Chrome                   | 22 584 660-19 |
|    | Light Gold                    | 22 584 660-26 |
|    | Brushed Light Gold            | 22 584 660-27 |
|    | Brushed Bronze                | 22 584 660-42 |
|    | Brushed Champagne (22kt Gold) | 22 584 660-46 |
|    | Champagne (22kt Gold)         | 22 584 660-47 |
|   | Brushed Chrome                | 22 584 660-93 |
|  | Brushed Dark Platinum         | 22 584 660-99 |

**Required miscellaneous**



- Concealed floor mounting -**
- max. recess depth 150 mm
  - min. recess depth 80 mm

35 945 970 90

**Required miscellaneous**



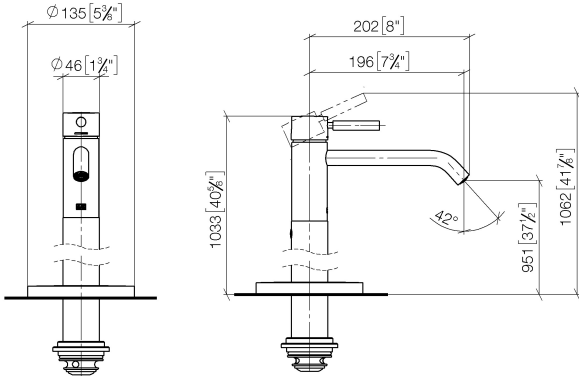
- Concealed floor mounting -**
- max. recess depth 150 mm
  - min. recess depth 80 mm

35 945 970 90

**META Single-lever basin mixer with stand pipe without pop-up waste - Matte Black**

META

22 584 660  
mm [inches]



**Flow rate chart**



**Codes & Standards**

DIN 4109

ISO 3822

Scottish Water  
Byelaws

UK Water Supply  
Regulations

**Ü-Zeichen**



**META Single-lever basin mixer with stand pipe without pop-up waste - Matte Black**

---

META

22 584 660

Certificates

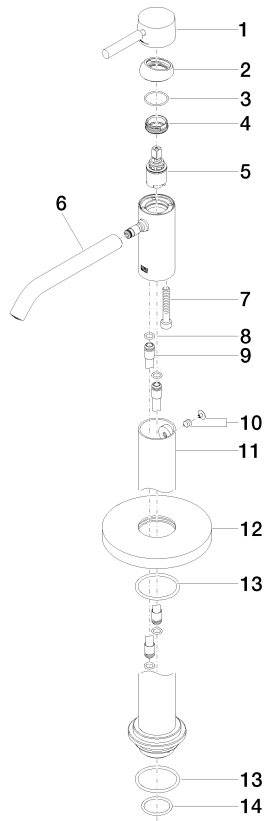
---

WRAS\_240102

LGA\_38

22 584 660

Product version from 5/1/2022





**META Single-lever basin mixer with stand pipe without pop-up waste - Matte Black**

META

22 584 660

**Spare parts list**

**Product version from 5/1/2022**

| No. | Item Number        | Name   | Quantity used | Delivery time |
|-----|--------------------|--------|---------------|---------------|
|     | 90 20 66 002 00-33 | handle | 17            | 30            |