








22 585 671



- 195mm projection
- fixed spout
- rectangular, air-enriched flow
- total height 1038 - 1103 mm
- height up to aerator 970 – 1040 mm
- rosette Ø 135 mm
- max. flow 4.6 l/min
- lead-free
- This product can help a building meet the requirements of Green Building Rating Systems, e.g. LEED®, BREEAM®, DGNB

	Matte Black	22 585 671-33
	Chrome	22 585 671-00
	Brushed Platinum	22 585 671-06
	Dark Chrome	22 585 671-19
	Brushed Light Gold	22 585 671-27
	Brushed Chrome	22 585 671-93
	Brushed Dark Platinum	22 585 671-99

**Required miscellaneous**



**Concealed floor mounting -** 35 945 970 90  
 ●min. recess depth 80 mm  
 ●max. recess depth 150 mm

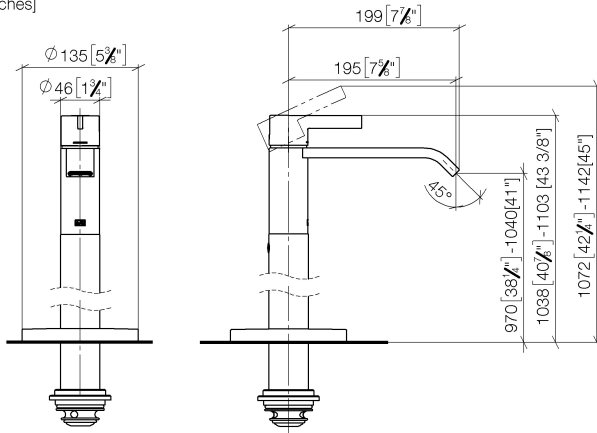
**Required miscellaneous**



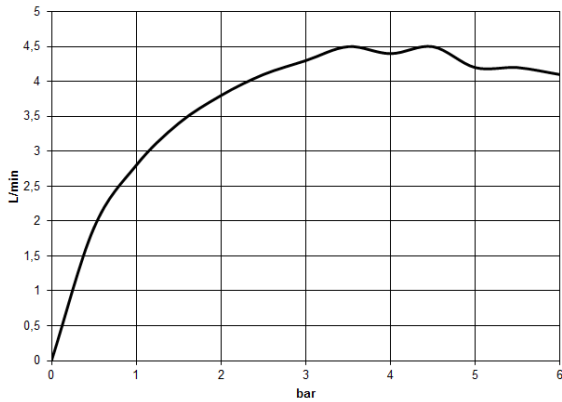
**Concealed floor mounting -** 35 945 970 90  
 ●min. recess depth 80 mm  
 ●max. recess depth 150 mm

22 585 671

mm [inches]



Flow rate chart



Codes & Standards

DIN 4109

ISO 3822

Ü-Zeichen



## IMO Single-hole basin mixer with stand pipe without pop-up waste - Matte Black

---

IMO

22 585 671

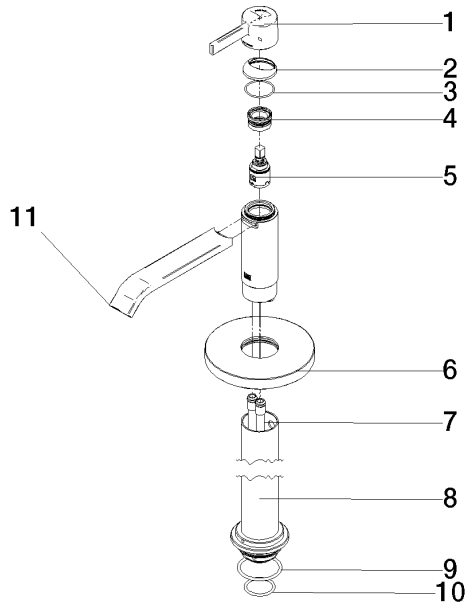
Certificates

---

LGA\_38

22 585 671

Product version from 4/1/2024





**IMO Single-hole basin mixer with stand pipe without pop-up waste - Matte Black**

IMO

22 585 671

**Spare parts list**

**Product version from 4/1/2024**

No.	Item Number	Name	Quantity used	Delivery time
	90 20 67 019 00-33	handle	12	30