

22 585 892



- 201mm projection
- pivotable spout 360°
- circular, air-enriched flow
- total height 1095 - 1166 mm
- height up to aerator 1025 – 1095 mm
- rosette Ø 135 mm
- max. flow 5.7 l/min
- lead-free
- This product can help a building meet the requirements of Green Building Rating Systems, e.g. LEED®, BREEAM®, DGNB
- WRAS 2304008

| | | |
|--|--------------------------------|---------------|
|  | Chrome | 22 585 892-00 |
|  | Brushed Platinum | 22 585 892-06 |
|  | Platinum | 22 585 892-08 |
|  | Dark Chrome | 22 585 892-19 |
|  | Brushed Durabronze (23kt Gold) | 22 585 892-28 |
|  | Matte Black | 22 585 892-33 |
|  | Brushed Bronze | 22 585 892-42 |
|  | Brushed Champagne (22kt Gold) | 22 585 892-46 |
|  | Champagne (22kt Gold) | 22 585 892-47 |
|  | Brushed Chrome | 22 585 892-93 |
|  | Brushed Dark Platinum | 22 585 892-99 |

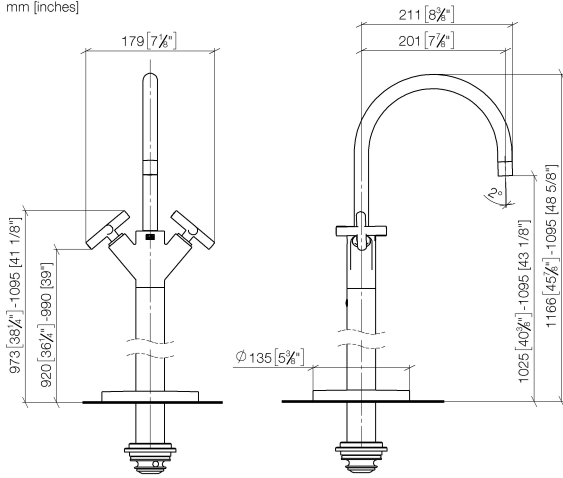
Required miscellaneous



- Concealed floor mounting -** 35 945 970 90
- max. recess depth 150 mm
 - min. recess depth 80 mm

22 585 892

mm [inches]



Flow rate chart



Codes & Standards

DIN 4109

ISO 3822

Scottish Water
Byelaws

UK Water Supply
Regulations

Ü-Zeichen



TARA Single-hole basin mixer with stand pipe without pop-up waste - Chrome

TARA

22 585 892

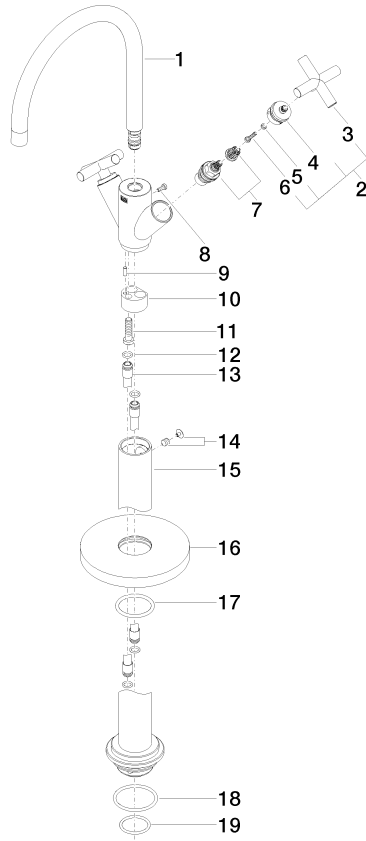
Certificates

LGA_38

WRAS_2304

22 585 892

Product version from 4/1/2024





TARA Single-hole basin mixer with stand pipe without pop-up waste - Chrome

TARA

22 585 892

Spare parts list

Product version from 4/1/2024

| No. | Item Number | Name | Quantity used | Delivery time |
|-----|--------------------|-------|---------------|---------------|
| | 90 28 22 214 02-00 | spout | 29 | 10 |