

TARA Two-hole bath mixer for free-standing assembly with hand shower set -  
Chrome

TARA

25 943 892



- 220mm projection
  - pivotable spout 180°
  - Hand shower: COMPACT RAIN, max. flow rate 6.8 l/min (at 3 bar)
  - spout: circular, air-enriched flow
  - hand shower with anti-scale system
  - rotary diverter for bath/shower
  - total height 920 mm
  - stand pipes height 628 mm
  - height up to aerator 765 mm
  - slide-on rosettes Ø 90 mm
  - gauge 150 mm
  - metal shower hose 1250mm with integrated anti-twist protection
  - pivotable shower holder on the right foot
  - max. flow 22 l/min at 3 bar flow pressure
  - WRAS 2212005
- Intrinsic protection against back flow.**

Intrinsic protection against back flow.

	Chrome	25 943 892-00
	Brushed Platinum	25 943 892-06
	Platinum	25 943 892-08
	Dark Chrome	25 943 892-19
	Brushed Durabronze (23kt Gold)	25 943 892-28
	Matte Black	25 943 892-33
	Brushed Bronze	25 943 892-42
	Brushed Champagne (22kt Gold)	25 943 892-46
	Champagne (22kt Gold)	25 943 892-47
	Brushed Chrome	25 943 892-93
	Brushed Dark Platinum	25 943 892-99

Required miscellaneous

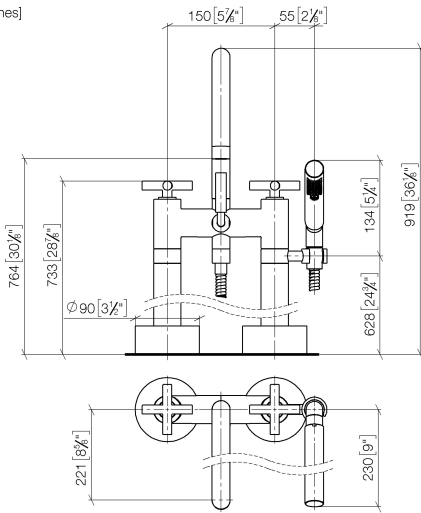


- Concealed floor mounting -** 35 944 970 90
- max. recess depth 160 mm
  - min. recess depth 80 mm

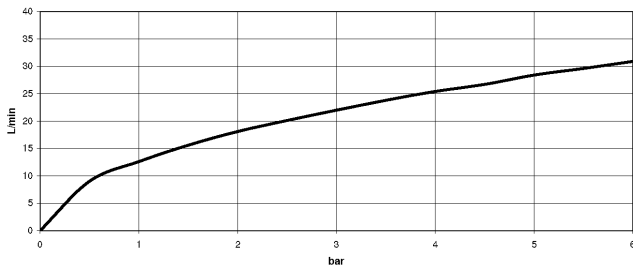
**TARA Two-hole bath mixer for free-standing assembly with hand shower set - Chrome**

TARA

25 943 892  
mm [inches]



**Flow rate chart**



**Codes & Standards**

ASME A112.18.1

cUPC

DIN 4109

EN 1717

ISO 3822

Scottish Water  
Byelaws

UK Water Supply  
Regulations

Ü-Zeichen



TARA Two-hole bath mixer for free-standing assembly with hand shower set -  
Chrome

---

TARA

25 943 892

Certificates

---

Belgaqua\_21-033-2 LGA\_18

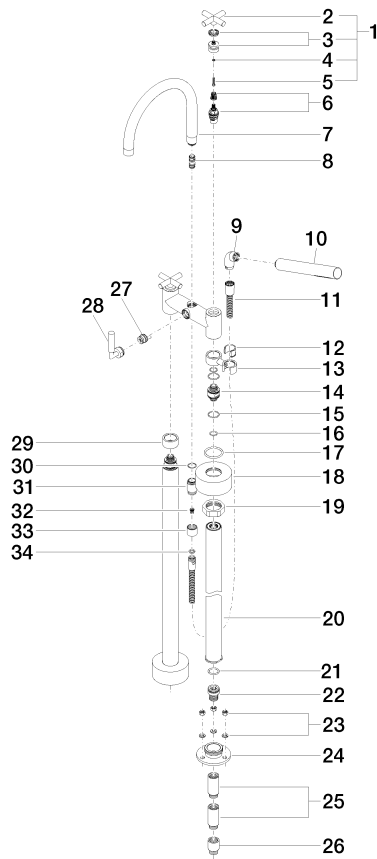
IAPMO\_4976

WRAS\_2212

25 943 892

Product version up to 5/27/2021

**Product version from 5/27/2021**





TARA Two-hole bath mixer for free-standing assembly with hand shower set -  
Chrome

TARA

25 943 892

Spare parts list

Product version up to 5/27/2021

**Product version from 5/27/2021**

No.	Item Number	Name	Quantity used	Delivery time
	90 20 89 010 10-00	handle	63	10