

# TARA Two-hole bath mixer for free-standing assembly with hand shower set - Brushed Dark Platinum

TARA

25 943 892



- 220mm projection
  - pivotable spout 180°
  - Hand shower: COMPACT RAIN, max. flow rate 6.8 l/min (at 3 bar)
  - spout: circular, air-enriched flow
  - hand shower with anti-scale system
  - rotary diverter for bath/shower
  - total height 920 mm
  - stand pipes height 628 mm
  - height up to aerator 765 mm
  - slide-on rosettes Ø 90 mm
  - gauge 150 mm
  - metal shower hose 1250mm with integrated anti-twist protection
  - pivotable shower holder on the right foot
  - max. flow 22 l/min at 3 bar flow pressure
  - WRAS 2212005
- Intrinsic protection against back flow.**

Intrinsic protection against back flow.

|  |                                |               |
|--|--------------------------------|---------------|
|  | Brushed Dark Platinum          | 25 943 892-99 |
|  | Chrome                         | 25 943 892-00 |
|  | Brushed Platinum               | 25 943 892-06 |
|  | Platinum                       | 25 943 892-08 |
|  | Dark Chrome                    | 25 943 892-19 |
|  | Brushed Durabronze (23kt Gold) | 25 943 892-28 |
|  | Matte Black                    | 25 943 892-33 |
|  | Brushed Bronze                 | 25 943 892-42 |
|  | Brushed Champagne (22kt Gold)  | 25 943 892-46 |
|  | Champagne (22kt Gold)          | 25 943 892-47 |
|  | Brushed Chrome                 | 25 943 892-93 |

## Required miscellaneous

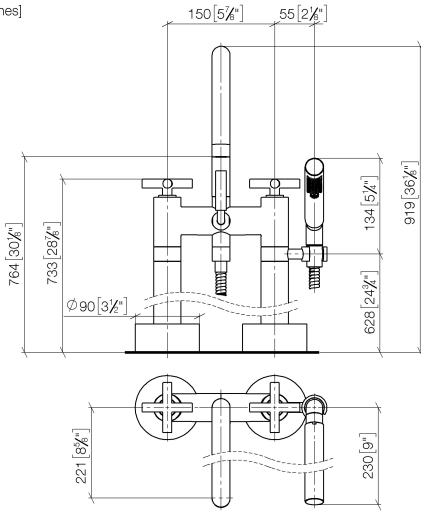


- Concealed floor mounting -** 35 944 970 90
- max. recess depth 160 mm
  - min. recess depth 80 mm

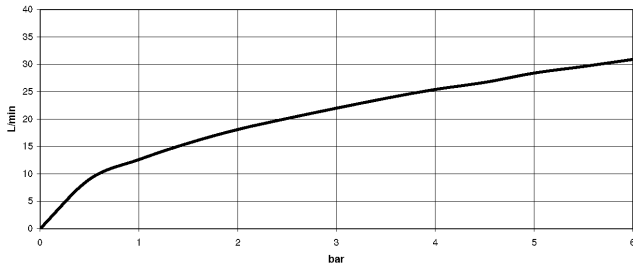
**TARA Two-hole bath mixer for free-standing assembly with hand shower set -  
Brushed Dark Platinum**

TARA

25 943 892  
mm [inches]



**Flow rate chart**



**Codes & Standards**

|                |                        |                             |           |
|----------------|------------------------|-----------------------------|-----------|
| ASME A112.18.1 | cUPC                   | DIN 4109                    | EN 1717   |
| ISO 3822       | Scottish Water Byelaws | UK Water Supply Regulations | Ü-Zeichen |



TARA Two-hole bath mixer for free-standing assembly with hand shower set -  
Brushed Dark Platinum

---

TARA

25 943 892

Certificates

---

Belgaqua\_21-033-2 LGA\_18

IAPMO\_4976

WRAS\_2212

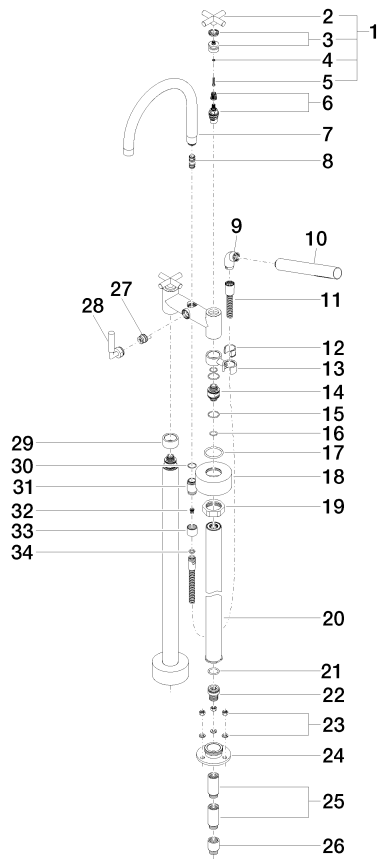
TARA Two-hole bath mixer for free-standing assembly with hand shower set -  
Brushed Dark Platinum

TARA

25 943 892

Product version up to 5/27/2021

**Product version from 5/27/2021**





TARA Two-hole bath mixer for free-standing assembly with hand shower set -  
Brushed Dark Platinum

---

TARA

25 943 892

Spare parts list

Product version up to 5/27/2021

**Product version from 5/27/2021**

| No. | Item Number        | Name   | Quantity used | Delivery time |
|-----|--------------------|--------|---------------|---------------|
|     | 90 20 89 010 10-99 | handle | 63            | 30            |