

MADISON Shower set without hand shower - Platinum


26 413 360




- slide bar
- Pipe diameter 18 mm
- rosette Ø 60 mm
- gauge 850 mm
- metal shower hose 1750mm with integrated anti-twist protection
- shower hose connector 1/2"
- WRAS

This article does not include a hand shower!

Recommended miscellaneous

	Concealed wall elbow -	35 085 970 90
	•max. recess depth mm	
	•min. recess depth mm	

Recommended miscellaneous

	MADISON Wall elbow - Platinum	28 450 410-08
--	--------------------------------------	---------------


Required miscellaneous

	MADISON Hand shower FlowReduce - Platinum	28 002 978-08 0010
	•spray head Ø 95mm	
	•Hand shower see page {PAGE}	
	•Three settings: COMPACT RAIN, COMPACT SOFT FLOW, COMPACT AQUAPRESSURE FLOW, max. flow rate l/min (at 3 bar)	

Required miscellaneous

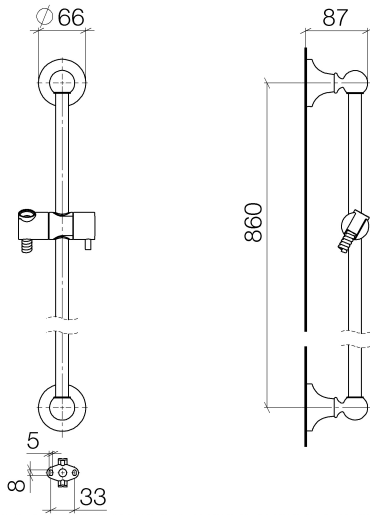
	MADISON Hand shower - Platinum	28 002 978-08
	•spray head Ø 95mm	
	•Hand shower see page {PAGE}	
	•Three settings: COMPACT RAIN, COMPACT SOFT FLOW, COMPACT AQUAPRESSURE FLOW, max. flow rate l/min (at 3 bar)	

Required miscellaneous

	MADISON Metal hand shower with porcelain insert (white) FlowReduce - Platinum	28 002 970-08 0010
--	--	-----------------------

MADISON Shower set without hand shower - Platinum

26 413 360



Codes & Standards

ASME A112.18.1

cUPC

Scottish Water
Byelaws

UK Water Supply
Regulations

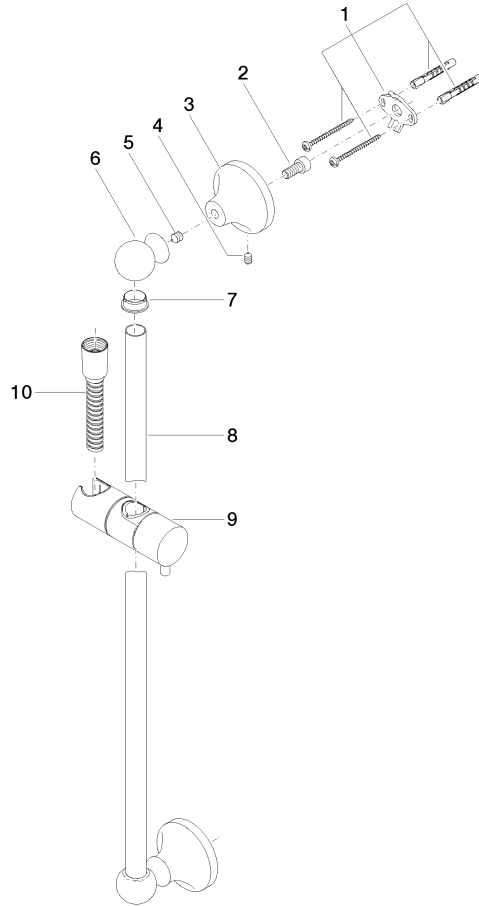
Certificates

WRAS_2009

IAPMO_4976

MADISON Shower set without hand shower - Platinum

26 413 360



Spare parts list

No.	Item Number	Name	Quantity used	Delivery time
1	90 17 20 708 00 90	fixing set	2	2
2	09 30 30 048 90	screw	2	2
3	09 17 20 016-08	holder	2	40
4	09 31 11 144 90	pin	2	2
5	09 31 11 002 90	pin	2	2
6	09 21 40 020-08	connection	2	60
7	09 18 40 009 90	sleeve	2	2
8	08 28 22 596-08	pipe	1	40
9	12 580 970-08	Slide unit - Platinum	1	40
10	28 204 970-08	Metal shower hose 1/2" x 1/2" x 1750 mm - Platinum	1	40