




EDITION PRO Shower set - Chrome

26 413 626



- slide bar
- Pipe diameter 18 mm
- gauge 800 mm
- metal shower hose 1750mm with integrated anti-twist protection
- shower hose connector 3/8"
- WRAS

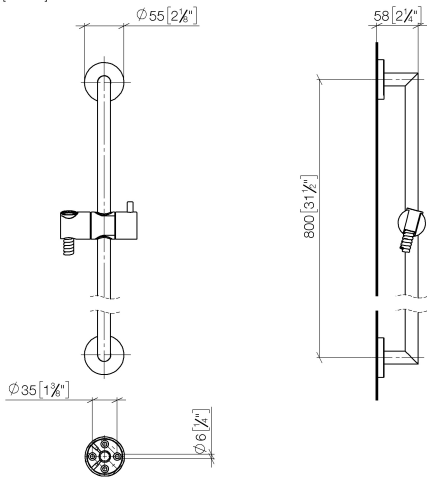
This article does not include a hand shower!

| | | |
|---|----------------|---------------|
|  | Chrome | 26 413 626-00 |
|  | Matte Black | 26 413 626-33 |
|  | Brushed Chrome | 26 413 626-93 |

EDITION PRO Shower set - Chrome

26 413 626

mm [inches]



Codes & Standards

Scottish Water
Byelaws

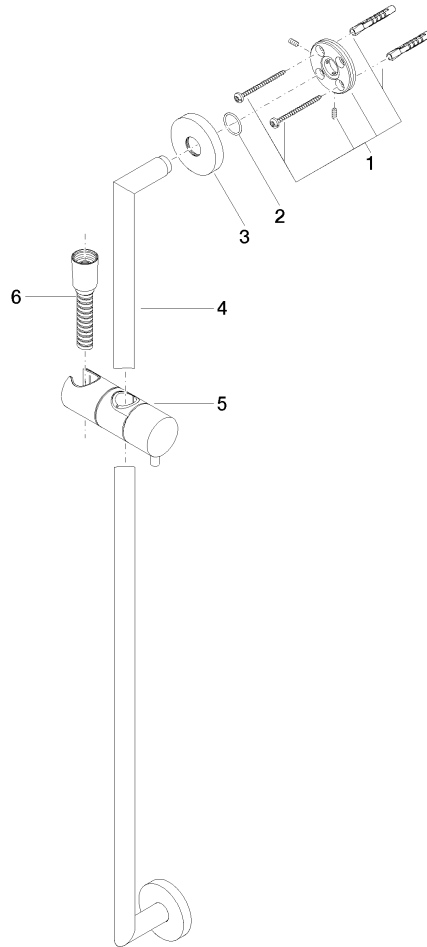
UK Water Supply
Regulations

Certificates

WRAS_2009

EDITION PRO Shower set - Chrome

26 413 626



Spare parts list

| No. | Item Number | Name | Quantity used | Delivery time |
|-----|--------------------|--|---------------|---------------|
| 1 | 05 17 62 500 00 90 | fixing set | 2 | 2 |
| 2 | 90 14 10 032 00 90 | seal | 2 | 2 |
| 3 | 08 27 62 500-00 | rosette | 2 | 10 |
| 4 | 05 28 22 590 01-00 | bar | 1 | 10 |
| 5 | 12 580 970-00 | Slide unit - Chrome | 1 | 10 |
| 6 | 28 322 970-00 | Metal shower hose 1/2" x 3/8" x 1750 mm - Chrome | 1 | 2 |