

27 803 845



- COMPACT RAIN, max. flow rate 15 l/min (at 3 bar)
- three settings: normal flow, soft flow, massage flow
- with anti-scale system
- 3/8" shower outlet
- rosette for wall elbow 60 x 78mm
- rosette for shower holder 60 x 78mm
- metal shower hose 1250mm with integrated anti-twist protection
- 1/2" wall elbow
- WRAS 2304001

Intrinsic protection against back flow.

|  |                       |                    |
|--|-----------------------|--------------------|
|    | Matte Black           | 27 803 845-33      |
|    | Chrome                | 27 803 845-00      |
|    | Chrome                | 27 803 845-00 0010 |
|    | Brushed Platinum      | 27 803 845-06      |
|    | Brushed Platinum      | 27 803 845-06 0010 |
|    | Dark Chrome           | 27 803 845-19 0010 |
|    | Dark Chrome           | 27 803 845-19      |
|    | Brushed Light Gold    | 27 803 845-27 0010 |
|    | Brushed Light Gold    | 27 803 845-27      |
|   | Matte Black           | 27 803 845-33 0010 |
|  | Brushed Chrome        | 27 803 845-93      |
|  | Brushed Chrome        | 27 803 845-93 0010 |
|  | Brushed Dark Platinum | 27 803 845-99      |
|  | Brushed Dark Platinum | 27 803 845-99 0010 |

**Recommended miscellaneous**



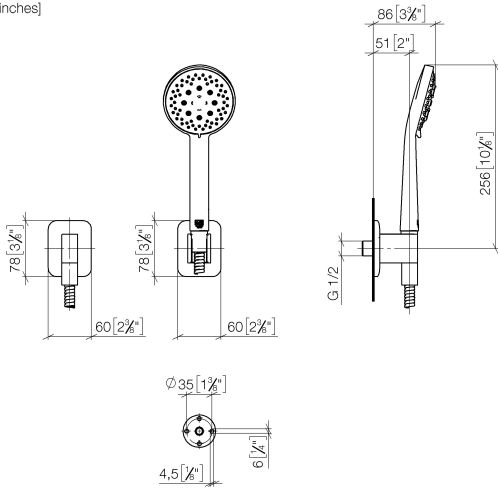
**Concealed wall elbow -**

35 085 970 90

- max. recess depth 163 mm
- min. recess depth 90 mm

27 803 845

mm [inches]



**Flow rate chart**



**Codes & Standards**

DIN 4109

ISO 3822

Scottish Water  
Byelaws

UK Water Supply  
Regulations

**Ü-Zeichen**



LISSÉ Hand shower set with individual rosettes - Matte Black

LISSÉ

27 803 845

Certificates

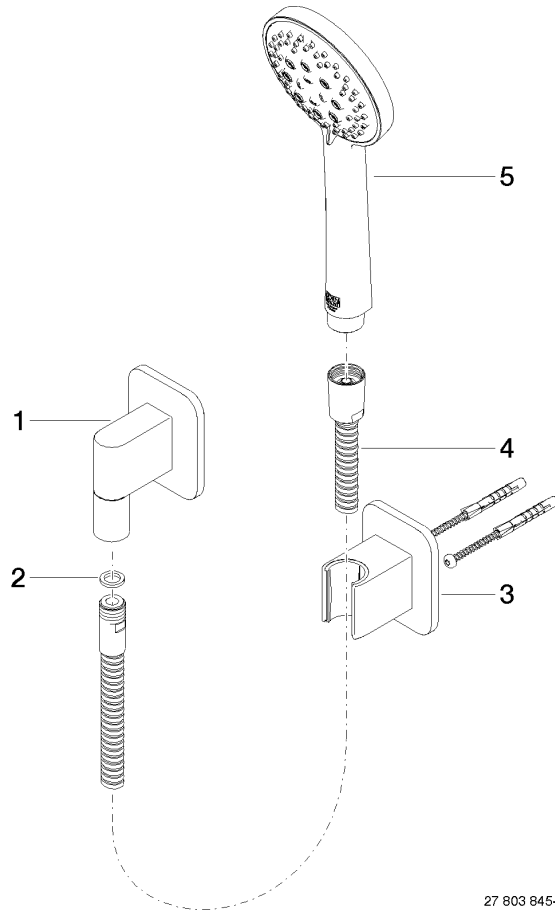
WRAS\_2304

LGA\_29

LGA\_29

27 803 845

Product version from 6/3/2020



27 803 845-FF



27 803 845

## **Spare parts list**

**Product version from 6/3/2020**