

27 803 845



- COMPACT RAIN, max. flow rate 15 l/min (at 3 bar)
- three settings: normal flow, soft flow, massage flow
- with anti-scale system
- 3/8" shower outlet
- rosette for wall elbow 60 x 78mm
- rosette for shower holder 60 x 78mm
- metal shower hose 1250mm with integrated anti-twist protection
- 1/2" wall elbow
- WRAS 2304001

Intrinsic protection against back flow.

	Brushed Chrome	27 803 845-93
	Chrome	27 803 845-00
	Chrome	27 803 845-00 0010
	Brushed Platinum	27 803 845-06
	Brushed Platinum	27 803 845-06 0010
	Dark Chrome	27 803 845-19 0010
	Dark Chrome	27 803 845-19
	Brushed Light Gold	27 803 845-27 0010
	Brushed Light Gold	27 803 845-27
	Matte Black	27 803 845-33 0010
	Matte Black	27 803 845-33
	Brushed Chrome	27 803 845-93 0010
	Brushed Dark Platinum	27 803 845-99
	Brushed Dark Platinum	27 803 845-99 0010

Recommended miscellaneous



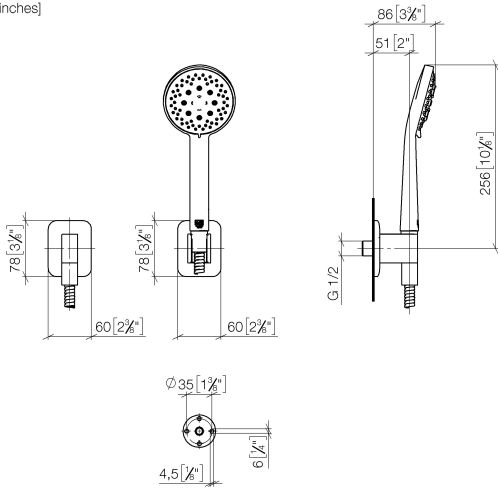
Concealed wall elbow -

35 085 970 90

- max. recess depth 163 mm
- min. recess depth 90 mm

27 803 845

mm [inches]



Flow rate chart



Codes & Standards

DIN 4109

ISO 3822

Scottish Water
Byelaws

UK Water Supply
Regulations

Ü-Zeichen



LISSÉ Hand shower set with individual rosettes - Brushed Chrome

LISSÉ

27 803 845

Certificates

WRAS_2304

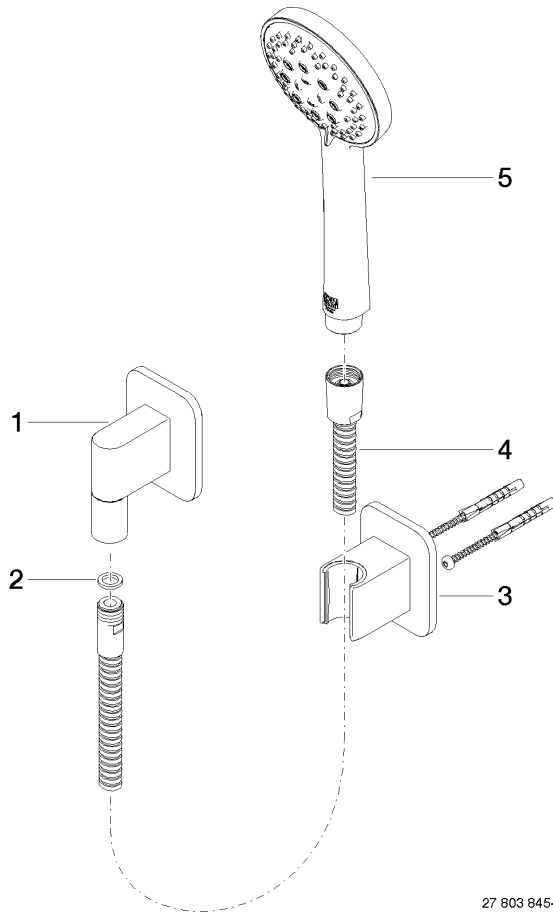
LGA_29

LGA_29

27 803 845

Product version from 3/9/2016 to 6/3/2020

Product version from 6/3/2020



27 803 845-FF



LISSÉ Hand shower set with individual rosettes - Brushed Chrome

LISSÉ

27 803 845

Spare parts list

Product version from 3/9/2016 to 6/3/2020

Product version from 6/3/2020

No.	Item Number	Name	Quantity used	Delivery time
	28 450 845-93	LISSÉ Wall elbow - Brushed Chrome	5	10