

**Affusion pipe with cover plate - Chrome**

IMO





27 838 979



Fits: IMO, MEM, CL.1, CYO

- LAMINAR FLOW, max. flow rate 15 l/min (at 3 bar)
- 3/8" shower outlet
- cover plate 240 x 60 mm
- metal shower hose 1250mm with integrated anti-twist protection
- 1/2" connection
- plug-link mounting

Intrinsic protection against back flow.

|                                                                                    |                                   |               |
|------------------------------------------------------------------------------------|-----------------------------------|---------------|
|  | Chrome                            | 27 838 979-00 |
|  | Brushed Platinum                  | 27 838 979-06 |
|  | Platinum                          | 27 838 979-08 |
|  | Dark Chrome                       | 27 838 979-19 |
|  | Brushed Light Gold                | 27 838 979-27 |
|  | Brushed Durabronze<br>(23kt Gold) | 27 838 979-28 |
|  | Matte Black                       | 27 838 979-33 |
|  | Brushed Chrome                    | 27 838 979-93 |
|  | Brushed Dark<br>Platinum          | 27 838 979-99 |

**Recommended miscellaneous**

- Concealed wall elbow -** 35 085 970 90
- max. recess depth 163 mm
  - min. recess depth 90 mm



27 838 979

mm [inches]



**Flow rate chart**



**Codes & Standards**

DIN 4109

EN 1717

ISO 3822

Ü-Zeichen



## Affusion pipe with cover plate - Chrome

---

IMO

27 838 979

### Certificates

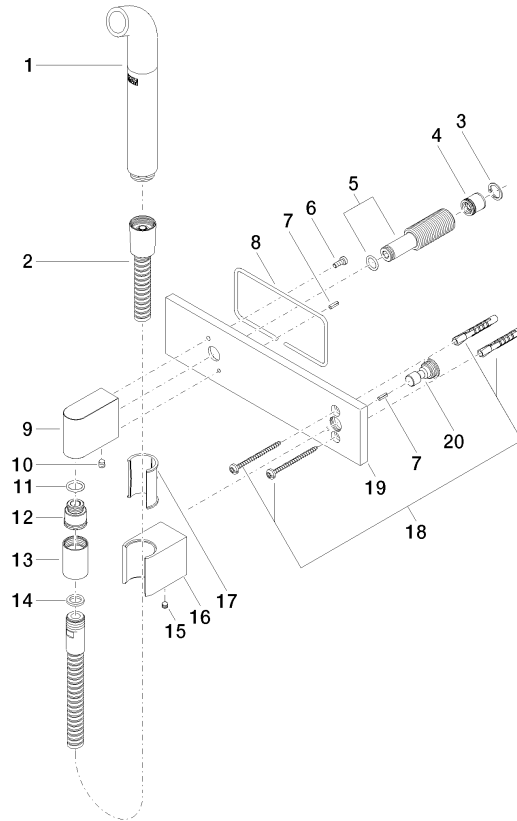
---

Belgaqua\_21-023-2 LGA\_38

27 838 979

Product version up to 3/2/2021

**Product version from 3/2/2021**





## Affusion pipe with cover plate - Chrome

IMO

27 838 979

### Spare parts list

Product version up to 3/2/2021

#### **Product version from 3/2/2021**

| No. | Item Number        | Name  | Quantity used | Delivery time |
|-----|--------------------|-------|---------------|---------------|
|     | 04 12 11 073 01-00 | spout | 21            | 10            |