

# Rain shower for recessed ceiling installation with light 300 x 240 mm - Matte Black

IMO

28 044 980



Fits: IMO, LULU, MEM, CL.1, CYO

- rain shower 300 x 240mm
- PURE RAIN, max. flow rate 12 l/min (at 3 bar)
- PURIFY RAIN, max. flow rate 6 l/min (at 3 bar)
- min. recess depth 137 mm
- with anti-scale system
- central RGBW LED spot
- RGBW LED ambient lighting
- For simultaneous control of the jet types, we recommend the xTool thermostat module
- Provided by customer: Zigbee gateway
- Not suitable for use in a steam room.
- WRAS 240502006

**includes light bulbs with a Class G energy efficiency**

includes light bulbs with a Class G energy efficiency

	Matte Black	28 044 980-33
	Chrome	28 044 980-00
	Brushed Platinum	28 044 980-06
	Platinum	28 044 980-08
	Dark Chrome	28 044 980-19
	Brushed Light Gold	28 044 980-27
	Brushed Durabronz (23kt Gold)	28 044 980-28
	Brushed Champagne (22kt Gold)	28 044 980-46
	Champagne (22kt Gold)	28 044 980-47
	Brushed Chrome	28 044 980-93
	Brushed Dark Platinum	28 044 980-99

## Required miscellaneous



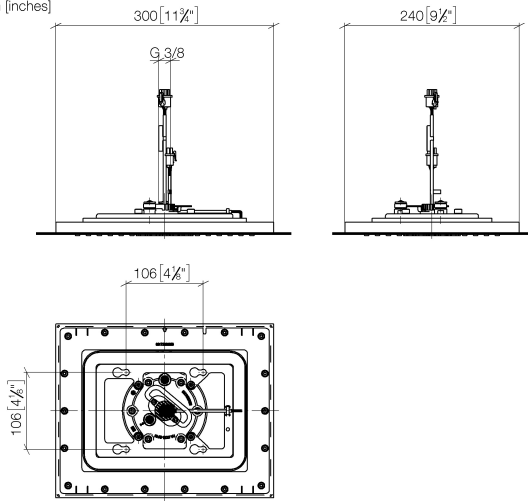
### Concealed ceiling installation box for recessed ceiling installation with light - 35 044 970 90

- flush-mounted installation box 360x300 mm RAL 9003 signal white
- recess depth 137mm
- Supply pipe 7 m
- concealed rough parts
- Input 100-240V AC 50-60Hz
- Output 12V DC SELV / Class II
- ZigBee Light Link RGBW controller
- Provided by customer: Zigbee gateway

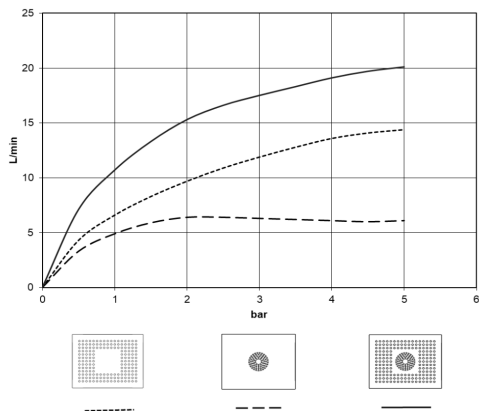
**Rain shower for recessed ceiling installation with light 300 x 240 mm - Matte Black**

IMO

28 044 980  
mm [inches]



**Flow rate chart**



**Codes & Standards**

DIN 4109

ISO 3822

Scottish Water  
Byelaws

UK Water Supply  
Regulations

**Ü-Zeichen**



Rain shower for recessed ceiling installation with light 300 x 240 mm - Matte  
Black

---

IMO

28 044 980

Certificates

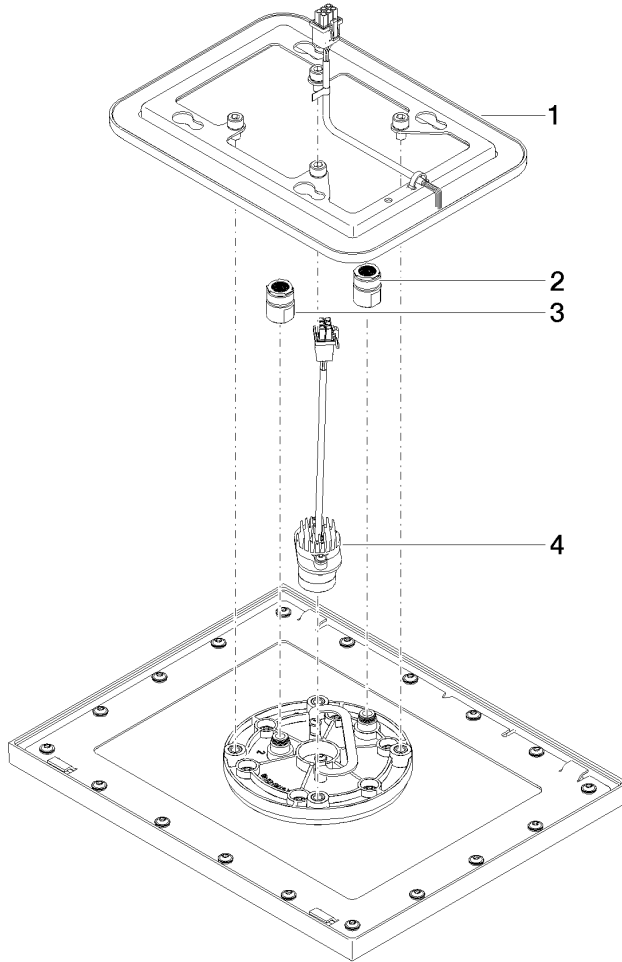
---

LGA\_38

WRAS\_240502

28 044 980

Product version from 5/1/2022





Rain shower for recessed ceiling installation with light 300 x 240 mm - Matte  
Black

IMO

28 044 980

**Spare parts list**

**Product version from 5/1/2022**

No.	Item Number	Name	Quantity used	Delivery time
	90 10 01 224 00 90	electronic accessories	4	2