

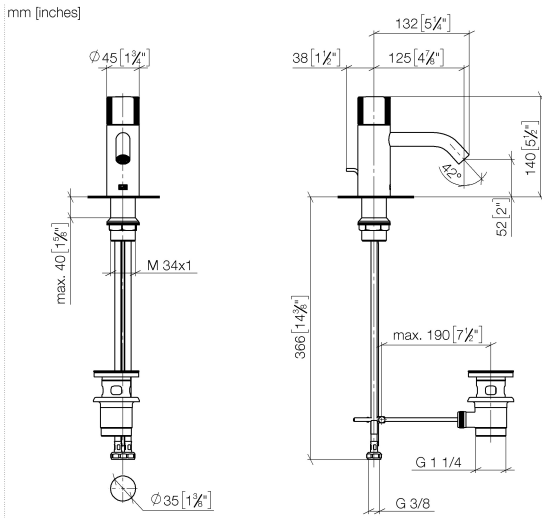
33 501 664



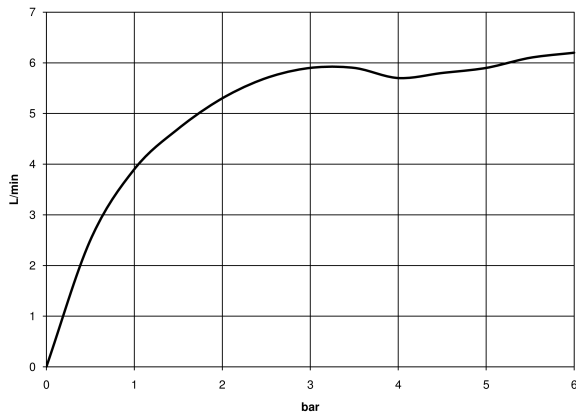
- 125mm projection
- progressive cartridge
- fixed spout
- circular, air-enriched flow
- height of mixer 140 mm
- height up to aerator 52 mm
- hole diameter 35 mm
- 2x screw-in M 8 x 1 pressure hose, leak-tested
- max. flow 5.7 l/min
- lead-free
- This product can help a building meet the requirements of Green Building Rating Systems, e.g. LEED®, BREEAM®, DGNB
- WRAS 2004015

Only suitable for basins with an overflow.

33 501 664



**Flow rate chart**



**Codes & Standards**

DIN 4109

ISO 3822

Scottish Water  
Byelaws

UK Water Supply  
Regulations

**Ü-Zeichen**



META META PURE Single-lever basin mixer with pop-up waste - Chrome

---

META

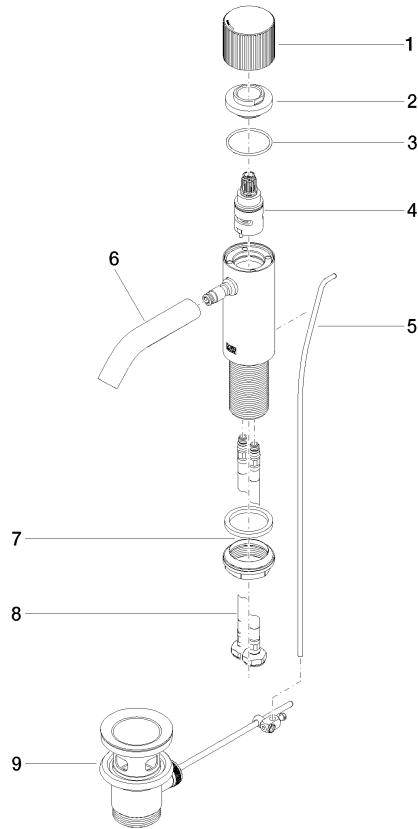
33 501 664

Certificates

---

LGA\_29

WRAS\_2004





**META META PURE Single-lever basin mixer with pop-up waste - Chrome**

META

33 501 664

**Spare parts list**

No.	Item Number	Name	Quantity used	Delivery time
	09 20 66 019-00	handle	10	10