

33 505 811








- 177mm projection
- fixed spout
- rectangular, air-enriched flow
- height of mixer 198 mm
- height up to aerator 133 mm
- hole diameter 35 mm
- 2x screw-in M 8 x 1 pressure hose, leak-tested
- max. flow 4.5 l/min
- lead-free
- This product can help a building meet the requirements of Green Building Rating Systems, e.g. LEED®, BREEAM®, DGNB
- WRAS 2111040

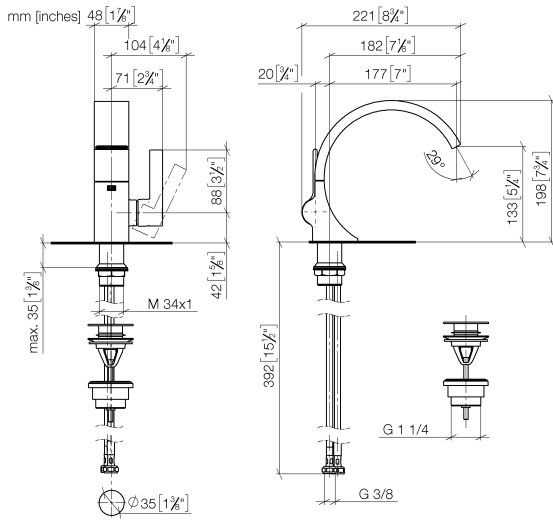
Only suitable for basins with an overflow.

Must not be combined with continuous-flow heaters heaters.

Distance from centre of tap hole to wall min. 55 mm or to front edge of basin min. 40 mm.

| | | |
|--|-----------------------------------|---------------|
|  | Dark Chrome | 33 505 811-19 |
|  | Chrome | 33 505 811-00 |
|  | Brushed Platinum | 33 505 811-06 |
|  | Brushed Durabronze (23kt Gold) | 33 505 811-28 |
|  | Brushed Dark Platinum | 33 505 811-99 |

33 505 811



Flow rate chart



Codes & Standards

Executive Order
no. 1007



CYO Single-lever basin mixer with pop-up waste - Dark Chrome

CYO

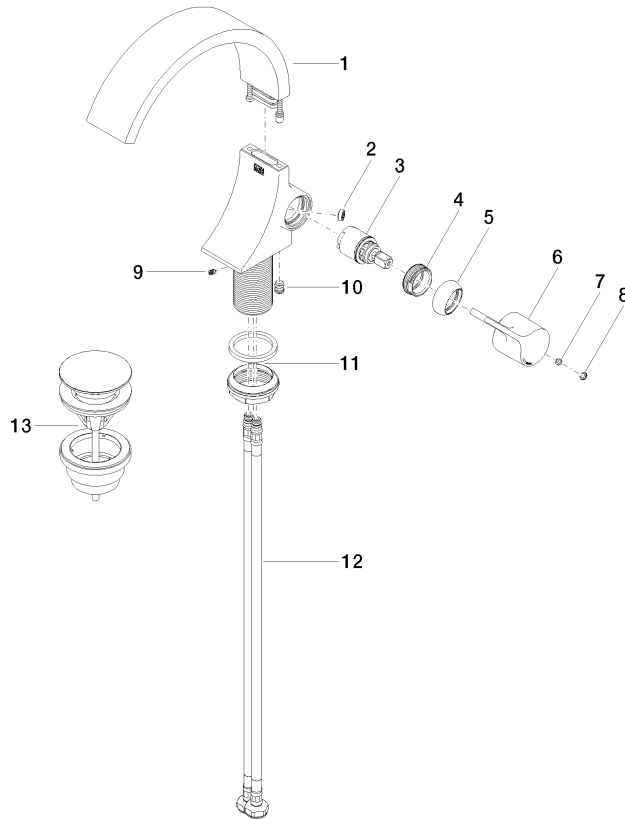
33 505 811

Certificates

GDV_0400

33 505 811

Parts for other finishes can be found here: [Chrome](#)





CYO Single-lever basin mixer with pop-up waste - Dark Chrome

CYO

33 505 811

Spare parts list

| No. | Item Number | Name | Quantity used | Delivery time |
|-----|--------------------|-------|---------------|---------------|
| | 90 11 70 013 01-19 | spout | 14 | 20 |