

**LISSÉ Single-lever basin mixer with raised base with pop-up waste - Dark Chrome**




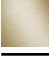



LISSÉ

33 506 845

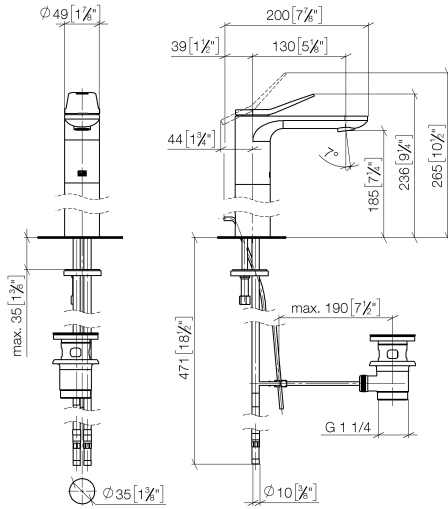


- 130mm projection
- fixed spout
- circular, air-enriched flow
- height of mixer 236 mm
- height up to aerator 185 mm
- hole diameter 35 mm
- 2x screw-in M 8 x 1 pressure hose, leak-tested
- max. flow 5.7 l/min
- lead-free
- This product can help a building meet the requirements of Green Building Rating Systems, e.g. LEED®, BREEAM®, DGNB
- WRAS 1906074

Only suitable for basins with an overflow.

	Dark Chrome	33 506 845-19
	Chrome	33 506 845-00
	Brushed Platinum	33 506 845-06
	Brushed Light Gold	33 506 845-27
	Matte Black	33 506 845-33
	Brushed Chrome	33 506 845-93
	Brushed Dark Platinum	33 506 845-99

33 506 845  
mm [inches]



**Flow rate chart**



**Codes & Standards**

DIN 4109

Executive Order  
no. 1007

ISO 3822

Ü-Zeichen



LISSÉ Single-lever basin mixer with raised base with pop-up waste - Dark  
Chrome

---

LISSÉ

33 506 845  
Certificates

---

GDV\_0400

LGA\_29

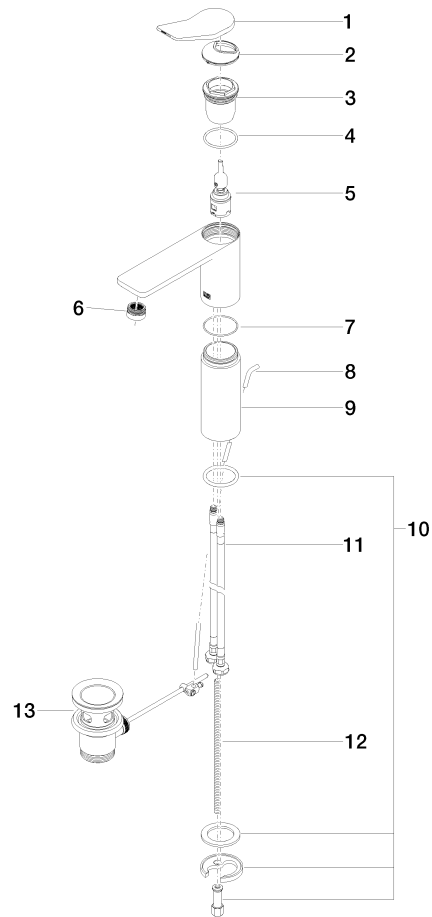
# LISSÉ Single-lever basin mixer with raised base with pop-up waste - Dark Chrome

LISSÉ

33 506 845

**Product version from 5/1/2021**

Parts for other finishes can be found here: [Chrome](#)





LISSÉ Single-lever basin mixer with raised base with pop-up waste - Dark Chrome

LISSÉ

33 506 845

**Spare parts list**

**Product version from 5/1/2021**

No.	Item Number	Name	Quantity used	Delivery time
	90 20 84 020 00-19	handle	14	20