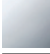




33 521 670

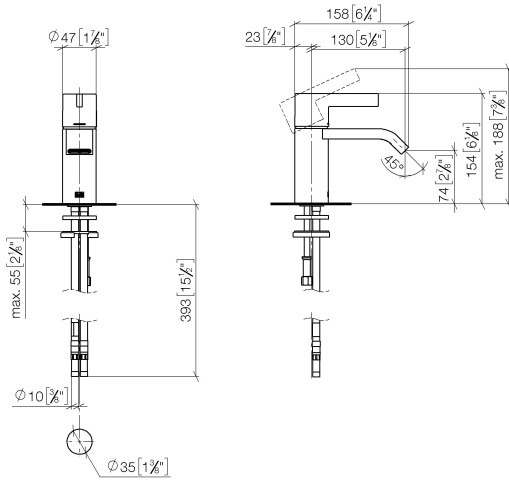


- 130mm projection
- fixed spout
- rectangular, air-enriched flow
- height of mixer 154 mm
- height up to aerator 80 mm
- hole diameter 35 mm
- 2x screw-in M 10 x 1 pressure hose, leak-tested
- max. flow 7 l/min
- lead-free
- This product can help a building meet the requirements of Green Building Rating Systems, e.g. LEED®, BREEAM®, DGNB

| | | |
|---|------------------|---------------|
|  | Chrome | 33 521 670-00 |
|  | Brushed Platinum | 33 521 670-06 |
|  | Brushed Chrome | 33 521 670-93 |

33 521 670

mm [inches]



Flow rate chart



Certificates

WRAS_1806010.

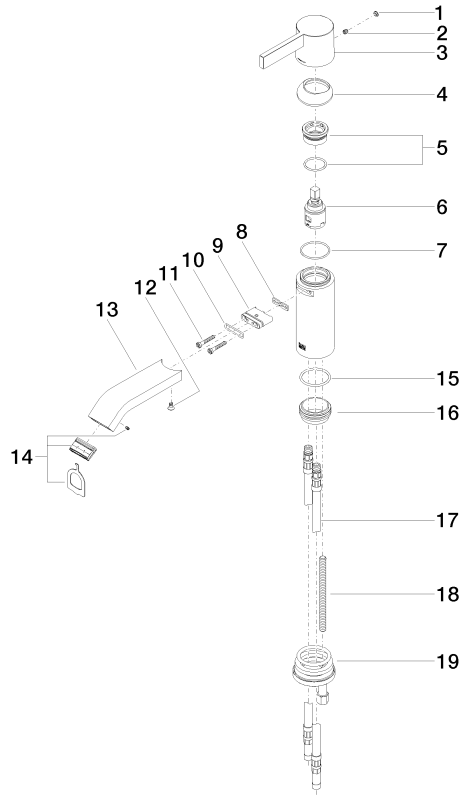
ETA_19965.

LGA_19485.

GDV_0400311.

WRAS_240202005.

33 521 670



Spare parts list

| No. | Item Number | Name | Quantity used | Delivery time |
|-----|--------------------|------------|---------------|---------------|
| 1 | 90 31 20 087 00-00 | plug | 1 | 10 |
| 2 | 90 31 11 030 00 90 | pin | 1 | 2 |
| 3 | 09 20 67 003-00 | handle | 1 | 10 |
| 4 | 09 28 30 019-00 | cover | 1 | 10 |
| 5 | 90 23 10 066 00 90 | nut | 1 | 2 |
| 6 | 90 15 05 042 00 90 | cartridge | 1 | 2 |
| 7 | 09 14 10 102 90 | seal | 1 | 2 |
| 8 | 09 14 03 131 90 | seal | 1 | 2 |
| 9 | 09 11 03 061 90 | connection | 1 | 2 |
| 10 | 09 14 10 053 90 | seal | 1 | 2 |
| 11 | 09 30 30 084 90 | screw | 2 | 2 |
| 12 | 09 30 30 116 90 | screw | 1 | 2 |
| 13 | 09 28 22 239-00 | spout | 1 | 10 |
| 14 | 90 29 03 045 00 90 | aerator | 1 | 2 |
| 15 | 09 14 10 119 90 | seal | 1 | 2 |
| 16 | 09 28 10 109-07 | ring | 1 | 30 |
| 17 | 04 30 04 016 00 90 | hose | 2 | 60 |
| 18 | 09 31 11 012 90 | pin | 1 | 2 |
| 19 | 04 30 11 085 88 90 | fixing set | 1 | 2 |