




IMO Single-lever basin mixer with high spout without pop-up waste - Brushed Dark Platinum

IMO

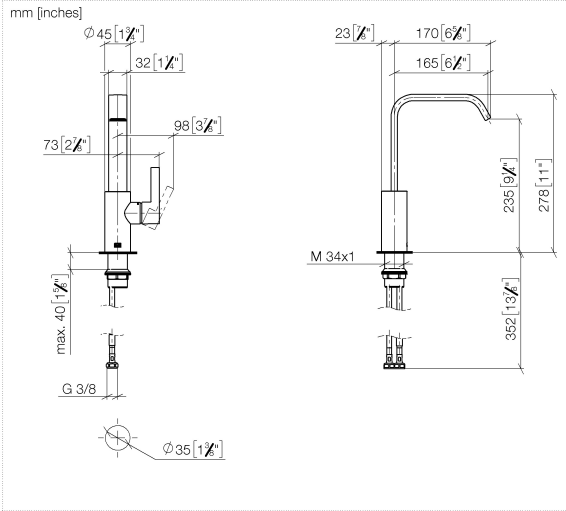
33 526 671



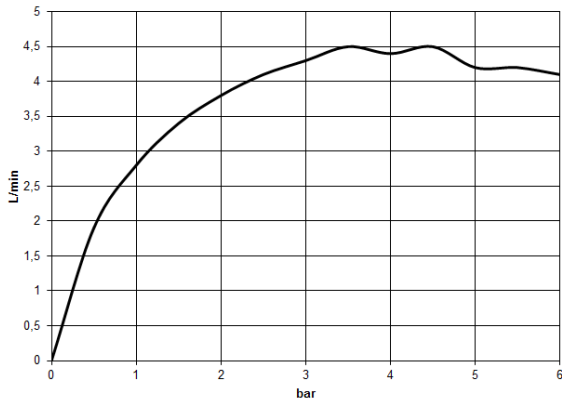
- 165mm projection
- fixed spout
- rectangular, air-enriched flow
- height of mixer 278 mm
- height up to aerator 235 mm
- hole diameter 35 mm
- 2x screw-in M 8 x 1 pressure hose, leak-tested
- max. flow 4.6 l/min
- lead-free
- This product can help a building meet the requirements of Green Building Rating Systems, e.g. LEED®, BREEAM®, DGNB

	Brushed Dark Platinum	33 526 671-99
	Chrome	33 526 671-00
	Brushed Platinum	33 526 671-06
	Dark Chrome	33 526 671-19
	Brushed Light Gold	33 526 671-27
	Matte Black	33 526 671-33
	Brushed Chrome	33 526 671-93

33 526 671



Flow rate chart



Codes & Standards

DIN 4109

ISO 3822

Ü-Zeichen



IMO Single-lever basin mixer with high spout without pop-up waste - Brushed
Dark Platinum

IMO

33 526 671

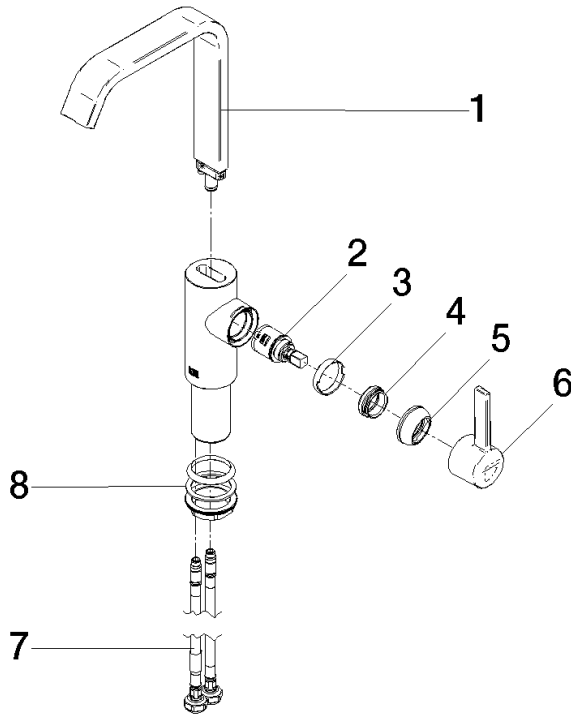
Certificates

LGA_28

33 526 671

Product version from 4/1/2024

Parts for other
finishes can be found
here: [Chrome](#)





IMO Single-lever basin mixer with high spout without pop-up waste - Brushed
Dark Platinum

IMO

33 526 671

Spare parts list

Product version from 4/1/2024

No.	Item Number	Name	Quantity used	Delivery time
	90 28 22 404 00-99	spout	9	-

Spare part can no longer be ordered, please order the replacement item
