





## DORNBRACHT YAMOU Single-lever basin mixer with raised base without pop-up waste - Chrome

---

33 537 831 Product version from 1/1/2023



- 180mm projection
- fixed spout
- circular, air-enriched flow
- height of mixer 288 mm
- height up to aerator 239 mm
- hole diameter 35 mm
- 2x screw-in M 8 x 1 pressure hose, leak-tested
- max. flow 6.8 l/min
- WRAS

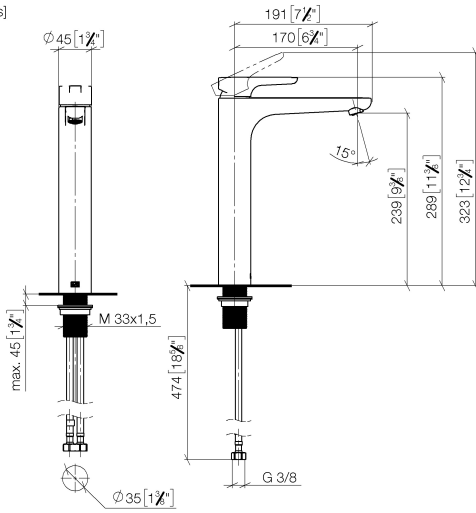
	Chrome	33 537 831-00
	Soft Black	33 537 831-69

---



# DORNBRACHT YAMOU Single-lever basin mixer with raised base without pop-up waste - Chrome

33 537 831 Product version from 1/1/2023  
mm [inches]



## Flow rate chart



## Codes & Standards

DIN 4109

EN 817

ISO 3822

Scottish Water  
Byelaws

UK Water Supply  
Regulations

Ü-Zeichen

XP P 41-280



## DORNBACHT YAMOU Single-lever basin mixer with raised base without pop-up waste - Chrome

---

33 537 831 Product version from 1/1/2023

### Certificates

---

AbP\_10

ACS\_23 ACC NY

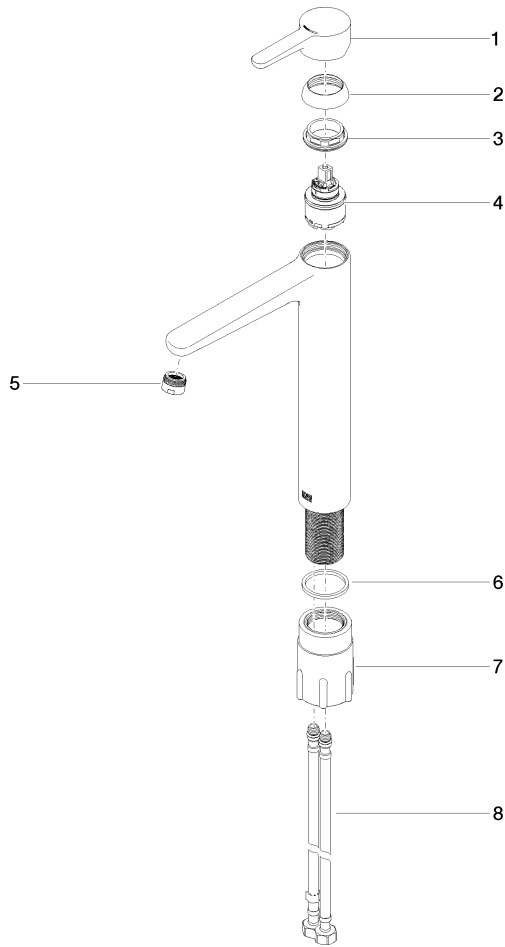
WRAS\_240104

DVGW\_DW-  
6506D00

**DORNBRACHT YAMOU Single-lever basin mixer with raised base without pop-up waste - Chrome**

33 537 831 Product version from 1/1/2023

Parts for other finishes can be found here: [Soft Black](#)



**Spare parts list**

No.	Item Number	Name	Quantity used	Delivery time
1	90 20 83 002 00-00	handle	1	2
2	90 21 02 400 00-00	cover	1	2
3	90 23 10 140 00 90	nut	1	2
4	90 15 05 502 00 90	cartridge	1	2
5	90 23 01 177 00-00	aerator	1	2
6	90 14 05 082 00 90	seal	1	2
7	90 30 11 505 00 90	fixing set	1	2
8	90 30 04 115 00 90	hose	1	2