

**MEM BAR TAP Single-lever mixer - Matte Black**

MEM

33 805 682



- 166mm projection
- pivotable spout 360°
- Optional swivel limiter available with swivel limiter set 12 820 970 90
- air-enriched flow
- max. flow 6.3 l/min at 3 bar flow pressure
- lead-free
- This product can help a building meet the requirements of Green Building Rating Systems, e.g. LEED®, BREEAM®, DGNB
- WRAS 240202021

	Matte Black	33 805 682-33
	Chrome	33 805 682-00
	Brushed Platinum	33 805 682-06
	Platinum	33 805 682-08
	Durabronze (23kt Gold)	33 805 682-09
	Dark Chrome	33 805 682-19
	Brushed Durabronze (23kt Gold)	33 805 682-28
	Brushed Champagne (22kt Gold)	33 805 682-46
	Champagne (22kt Gold)	33 805 682-47
	Brushed Chrome	33 805 682-93
	Brushed Dark Platinum	33 805 682-99


**Recommended miscellaneous**

	<b>Swivel limitation set -</b>	12 820 970 90
---	--------------------------------	---------------

**Recommended miscellaneous**

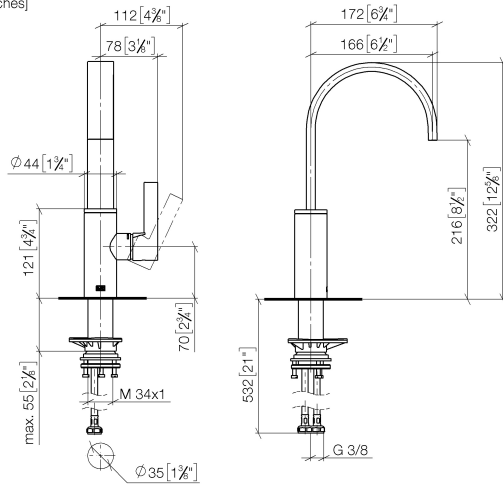
	<b>Dispenser without rosette - Matte Black</b>	82 424 970-33
---	--	---------------

**Recommended miscellaneous**

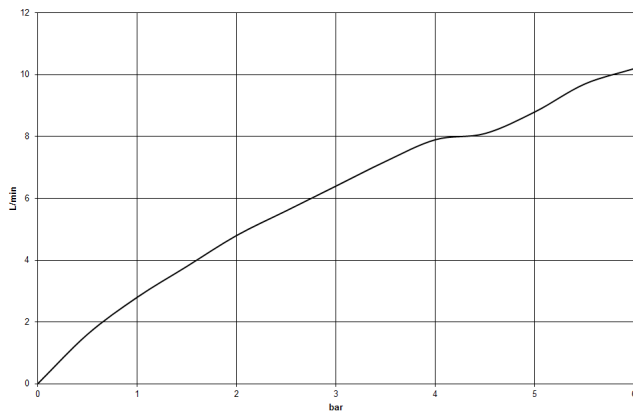
	<b>Strainer waste with control handle - Matte Black</b>	10 712 970-33
---	---	---------------

33 805 682

mm [inches]



**Flow rate chart**



**Codes & Standards**

DIN 4109

ISO 3822

Scottish Water  
Byelaws

UK Water Supply  
Regulations

**Ü-Zeichen**



## MEM BAR TAP Single-lever mixer - Matte Black

---

MEM

33 805 682

### Certificates

---

WRAS\_240202

LGA\_38

33 805 682

Product version from 3/1/2023





MEM BAR TAP Single-lever mixer - Matte Black

MEM

33 805 682

**Spare parts list**

**Product version from 3/1/2023**

No.	Item Number	Name	Quantity used	Delivery time
	90 28 22 282 00-33	spout	10	-

Spare part can no longer be ordered, please order the replacement item