

## ENO Single-lever mixer Pull-out - Champagne (22kt Gold)

---

33 845 760



- 220mm projection
- pivotable spout 130°
- air-enriched flow
- height of mixer 288 mm
- height up to aerator 187 mm
- hole diameter 35 mm
- 1600mm metal shower hose
- max. flow 10 l/min at 3 bar flow pressure
- lead-free
- This product can help a building meet the requirements of Green Building Rating Systems, e.g. LEED®, BREEAM®, DGNB

Intrinsic protection against back flow.

### Recommended miscellaneous

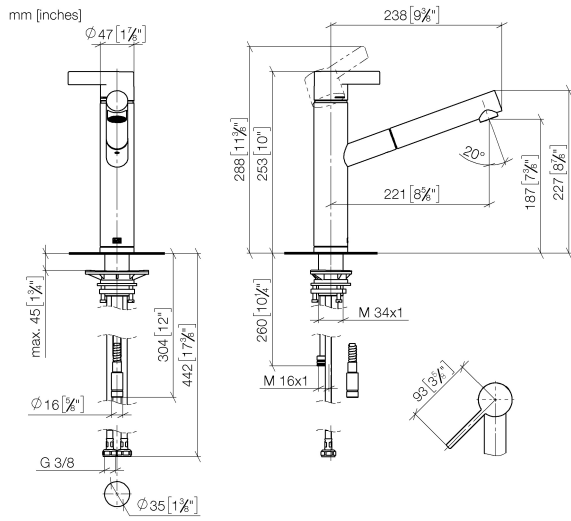
---

**Strainer waste with control handle** 10 712 970-47  
**- Champagne (22kt Gold)**

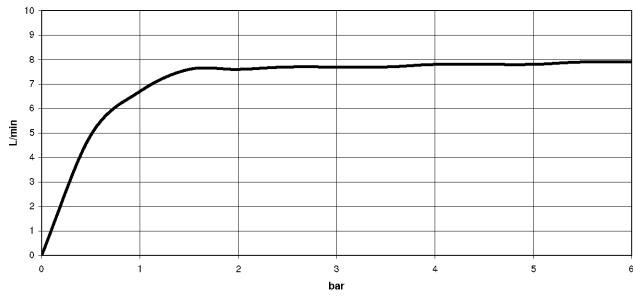


**ENO Single-lever mixer Pull-out - Champagne (22kt Gold)**

33 845 760



**Flow rate chart**



**Codes & Standards**

Executive Order  
no. 1007



## ENO Single-lever mixer Pull-out - Champagne (22kt Gold)

---

33 845 760

Certificates

---

GDV\_0400

# ENO Single-lever mixer Pull-out - Champagne (22kt Gold)

33 845 760

