

TARA ULTRA Single-lever mixer Pull-down with spray function - Champagne (22kt Gold)

TARA ULTRA

33 870 875



- 240mm projection
- pivotable spout 360°
- Optional swivel limiter available with swivel limiter set 12 823 970 90
- laminar and spray flow
- height of mixer 500 mm
- height up to laminar flow regulator 240 mm
- hole diameter 35 mm
- 1800 mm metal shower hose
- sprayface with anti-scaling system
- max. flow 10.4 l/min at 3 bar flow pressure
- lead-free
- This product can help a building meet the requirements of Green Building Rating Systems, e.g. LEED®, BREEAM®, DGNB

Intrinsic protection against back flow.

	Champagne (22kt Gold)	33 870 875-47
	Chrome	33 870 875-00
	Brushed Platinum	33 870 875-06
	Platinum	33 870 875-08
	Durabrand (23kt Gold)	33 870 875-09
	Dark Chrome	33 870 875-19
	Brushed Durabrand (23kt Gold)	33 870 875-28
	Matte Black	33 870 875-33
	Brushed Champagne (22kt Gold)	33 870 875-46
	Brushed Chrome	33 870 875-93
	Brushed Dark Platinum	33 870 875-99

Recommended miscellaneous

	Swivel limitation set -	12 823 970 90
---	--------------------------------	---------------

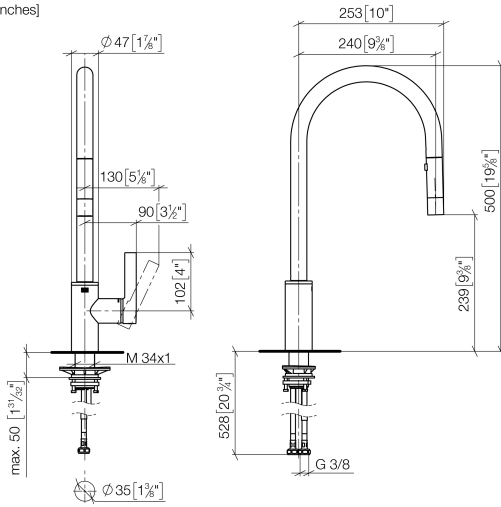
Recommended miscellaneous

	Dispenser without rosette - Champagne (22kt Gold)	82 424 970-47
---	--	---------------

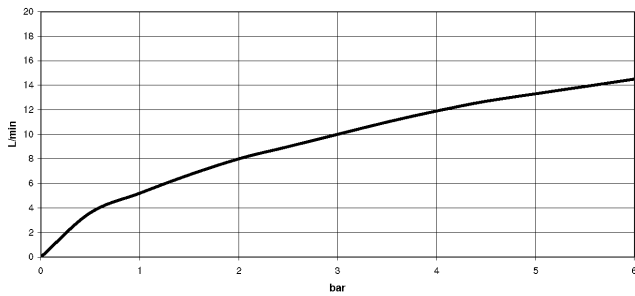
Recommended miscellaneous

	Strainer waste with control handle - Champagne (22kt Gold)	10 712 970-47
---	---	---------------

33 870 875
mm [inches]



Flow rate chart



Codes & Standards

DIN 4109

Executive Order
no. 1007

ISO 3822

Ü-Zeichen



TARA ULTRA Single-lever mixer Pull-down with spray function - Champagne
(22kt Gold)

TARA ULTRA

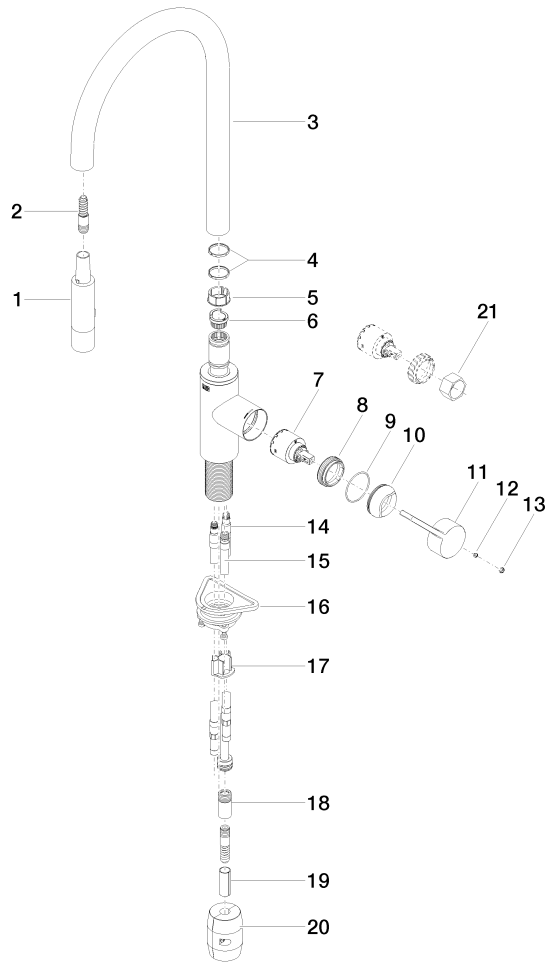
33 870 875
Certificates

LGA_28

GDV_0400

33 870 875

Product version from 6/1/2021





TARA ULTRA Single-lever mixer Pull-down with spray function - Champagne
(22kt Gold)

TARA ULTRA

33 870 875

Spare parts list

Product version from 6/1/2021