

33 870 895



- 240mm projection
- pivotable spout 360°
- Optional swivel limiter available with swivel limiter set 12 821 970 90
- laminar and spray flow
- height of mixer 444 mm
- height up to laminar flow regulator 240 mm
- hole diameter 35 mm
- 1800 mm metal shower hose
- sprayface with anti-scaling system
- max. flow 10.4 l/min at 3 bar flow pressure
- lead-free
- This product can help a building meet the requirements of Green Building Rating Systems, e.g. LEED®, BREEAM®, DGNB

Intrinsic protection against back flow.

	Brushed Platinum	33 870 895-06
	Chrome	33 870 895-00
	Platinum	33 870 895-08
	Durabronze (23kt Gold)	33 870 895-09
	Dark Chrome	33 870 895-19
	Brushed Durabronze (23kt Gold)	33 870 895-28
	Matte Black	33 870 895-33
	Brushed Champagne (22kt Gold)	33 870 895-46
	Champagne (22kt Gold)	33 870 895-47
	Brushed Chrome	33 870 895-93
	Brushed Dark Platinum	33 870 895-99

**Recommended miscellaneous**

**Swivel limitation set -** 12 821 970 90



**Recommended miscellaneous**

**Strainer waste with control handle - Brushed Platinum** 10 712 970-06

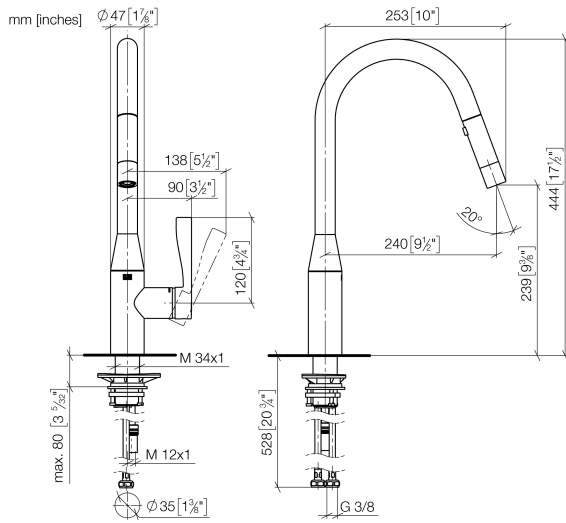


**Recommended miscellaneous**

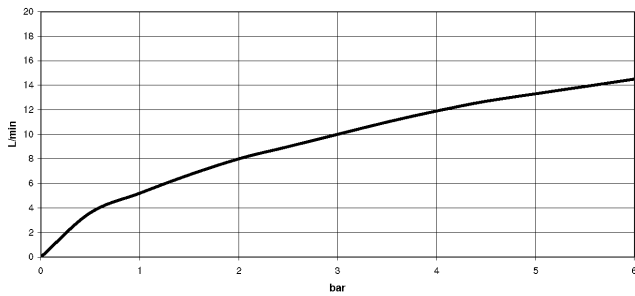
**Dispenser without rosette - Brushed Platinum** 82 424 970-06



33 870 895



**Flow rate chart**



**Codes & Standards**

DIN 4109

EN 1717

Executive Order  
no. 1007

ISO 3822

**Ü-Zeichen**



# SYNC Single-lever mixer Pull-down with spray function - Brushed Platinum

SYNC

33 870 895

## Certificates

LGA\_28

GDV\_0400

Belgaqua\_21-027-2

33 870 895

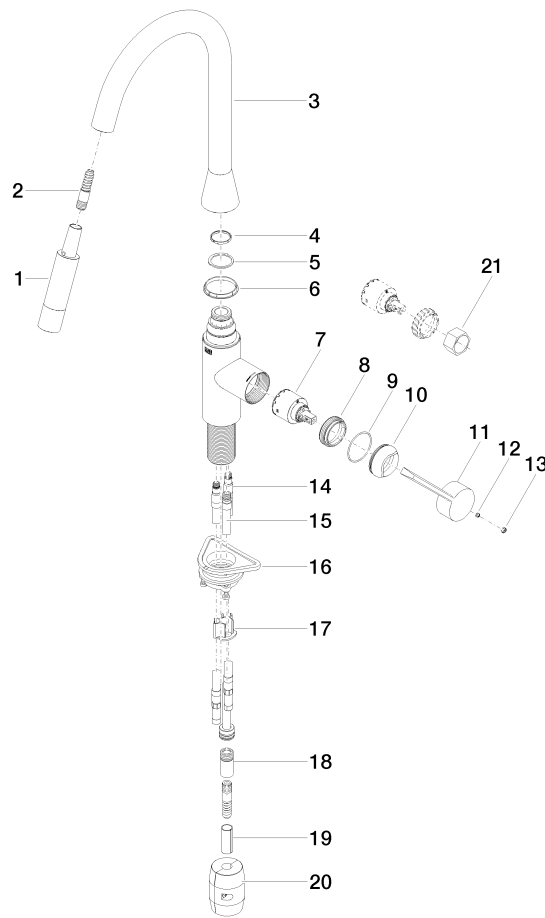
Product version from 2/26/2015 to 1/7/2021

Product version from 1/7/2021 to 4/29/2021

Product version from 4/29/2021 to 5/19/2021

Product version from 5/19/2021 to 5/20/2021

**Product version from 5/20/2021**





## SYNC Single-lever mixer Pull-down with spray function - Brushed Platinum

SYNC

33 870 895

### Spare parts list

Product version from 2/26/2015 to 1/7/2021

Product version from 1/7/2021 to 4/29/2021

Product version from 4/29/2021 to 5/19/2021

Product version from 5/19/2021 to 5/20/2021

### **Product version from 5/20/2021**

No.	Item Number	Name	Quantity used	Delivery time
	90 12 11 148 00-06	shower	22	10