

Concealed floor mounting -

35 944 970 90



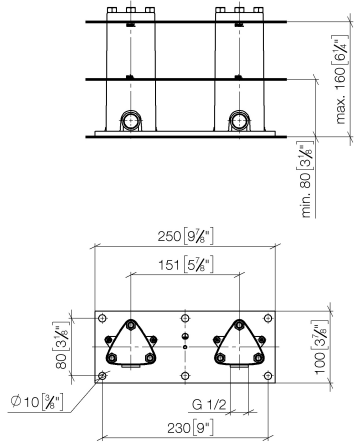
- stainless steel
- 2x 1/2" connection angle
- gauge 150 mm
- 2x anti-water packing
- 2x dust cover
- soundproofing
- WRAS 1911027



Concealed floor mounting -

35 944 970 90

mm [inches]



Codes & Standards

Scottish Water
Byelaws

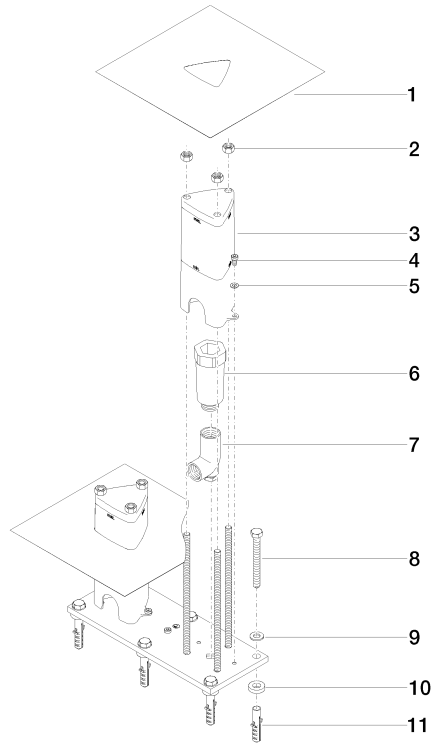
UK Water Supply
Regulations

Certificates

WRAS_1911

Concealed floor mounting -

35 944 970 90





Concealed floor mounting -

35 944 970 90

Spare parts list

No.	Item Number	Name	Quantity used	Delivery time
	09 14 03 110 90	seal	45	2