



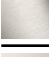



MADISON Wall-mounted basin mixer without pop-up waste - Brushed Dark Platinum

MADISON

36 712 361



- 190mm projection
- fixed spout
- circular, air-enriched flow
- hole diameter valve 40 mm
- hole diameter spout 40 mm
- slide-on rosettes Ø 55 mm
- max. flow 7 l/min
- lead-free
- This product can help a building meet the requirements of Green Building Rating Systems, e.g. LEED®, BREEAM®, DGNB

	Brushed Dark Platinum	36 712 361-99
	Chrome	36 712 361-00
	Brushed Platinum	36 712 361-06
	Platinum	36 712 361-08
	Durabass (23kt Gold)	36 712 361-09
	Brushed Durabass (23kt Gold)	36 712 361-28

Required miscellaneous



- Concealed wall-mounted mixer centred spout -** 35 700 970 90
- max. recess depth 145 mm
 - min. recess depth 85 mm

Required miscellaneous



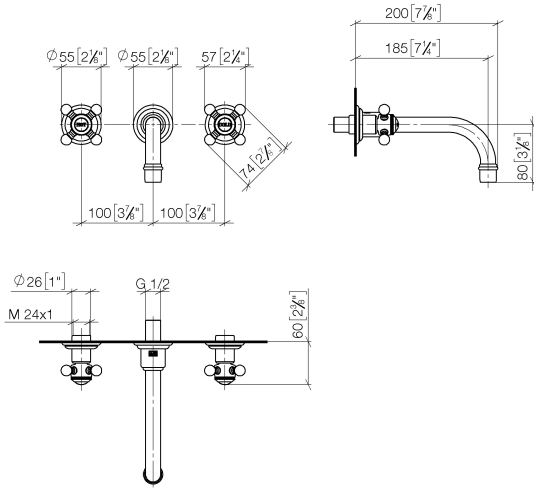
- Concealed wall-mounted mixer variable positioning -** 35 720 970 90
- max. recess depth 145 mm
 - min. recess depth 85 mm



MADISON Wall-mounted basin mixer without pop-up waste - Brushed Dark Platinum

MADISON

36 712 361
mm [inches]



Flow rate chart



Codes & Standards

DIN 4109

ISO 3822

Ü-Zeichen



MADISON Wall-mounted basin mixer without pop-up waste - Brushed Dark
Platinum

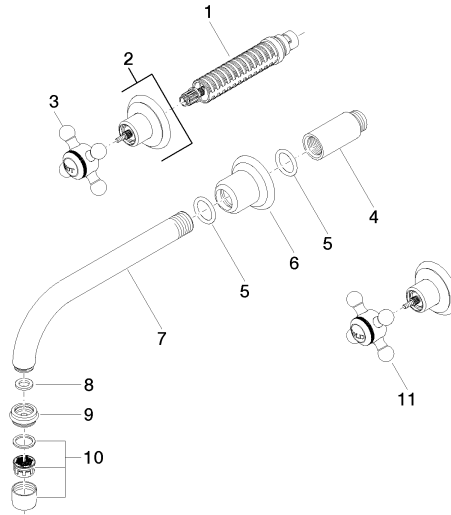
MADISON

36 712 361
Certificates

LGA_19

36 712 361

Product version from 7/3/2016



36 712 361-FF



MADISON Wall-mounted basin mixer without pop-up waste - Brushed Dark
Platinum

MADISON

36 712 361

Spare parts list

Product version from 7/3/2016

No.	Item Number	Name	Quantity used	Delivery time
	90 90 03 157 00 90	top	13	2