

Tissue holder without cover - Brushed Champagne (22kt Gold)

83 500 780

- width 140mm
- height 35 mm
- 85mm projection

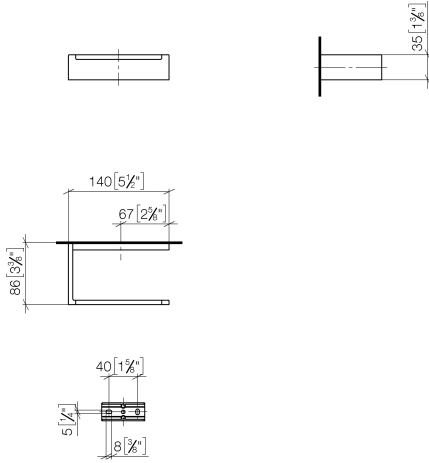


	Brushed Champagne (22kt Gold)	83 500 780-46
	Chrome	83 500 780-00
	Brushed Platinum	83 500 780-06
	Platinum	83 500 780-08
	Dark Chrome	83 500 780-19
	Brushed Durabronze (23kt Gold)	83 500 780-28
	Champagne (22kt Gold)	83 500 780-47
	Brushed Dark Platinum	83 500 780-99

Tissue holder without cover - Brushed Champagne (22kt Gold)

83 500 780

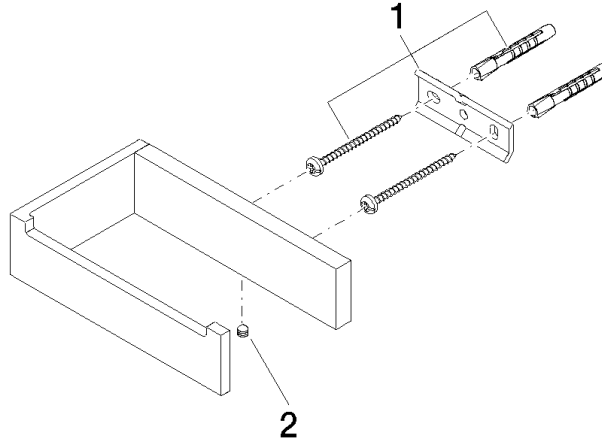
mm [inches]



Tissue holder without cover - Brushed Champagne (22kt Gold)

83 500 780

Parts for other finishes can be found here: [Chrome](#)



Spare parts list

No.	Item Number	Name	Quantity used	Delivery time
1	05 17 20 718 00 90	fixing set	1	2
2	90 31 11 112 00 90	pin	1	2