

VAIA Tissue holder without cover - Platinum

83 500 809



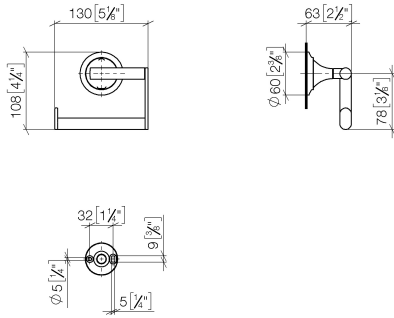
- width 130mm
- height 108 mm
- rosette Ø 60 mm
- 63mm projection

	Platinum	83 500 809-08
	Chrome	83 500 809-00
	Brushed Platinum	83 500 809-06
	Dark Chrome	83 500 809-19
	Brushed Durabronze (23kt Gold)	83 500 809-28
	Brushed Bronze	83 500 809-42
	Brushed Champagne (22kt Gold)	83 500 809-46
	Champagne (22kt Gold)	83 500 809-47
	Brushed Dark Platinum	83 500 809-99

VAIA Tissue holder without cover - Platinum

83 500 809

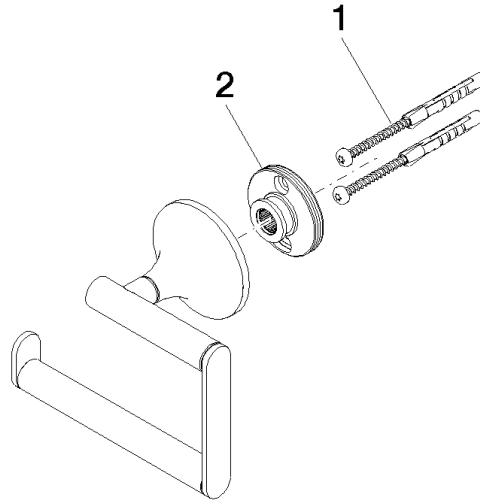
mm [inches]



VAIA Tissue holder without cover - Platinum

83 500 809

Parts for other finishes can be found here: [Chrome](#)



Spare parts list

No.	Item Number	Name	Quantity used	Delivery time
1	05 30 31 025 00 90	fixing set	1	2
2	90 17 20 759 00 90	disc	1	2