

## TARA Tissue holder without cover - Chrome

83 500 892 Product version from 4/1/2024



- width 152mm
- height 100 mm
- rosette Ø 55 mm
- 72mm projection

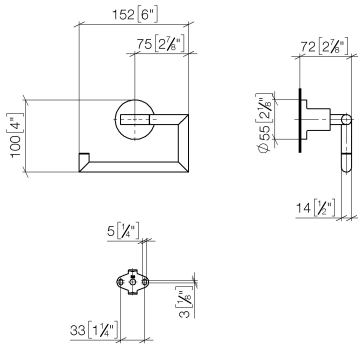
	Chrome	83 500 892-00
	Brushed Platinum	83 500 892-06
	Platinum	83 500 892-08
	Dark Chrome	83 500 892-19
	Brushed Durabronze (23kt Gold)	83 500 892-28
	Matte Black	83 500 892-33
	Brushed Bronze	83 500 892-42
	Brushed Champagne (22kt Gold)	83 500 892-46
	Champagne (22kt Gold)	83 500 892-47
	Brushed Chrome	83 500 892-93
	Brushed Dark Platinum	83 500 892-99

## TARA Tissue holder without cover - Chrome

---

83 500 892 Product version from 4/1/2024

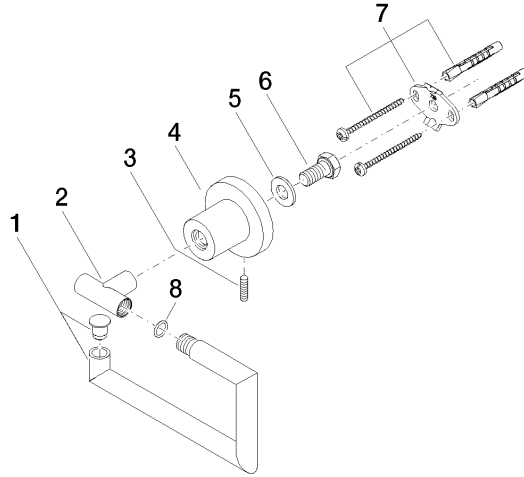
mm [inches]



## TARA Tissue holder without cover - Chrome

83 500 892 Product version from 4/1/2024

Parts for other finishes can be found here: Brushed Platinum



### Spare parts list

No.	Item Number	Name	Quantity used	Delivery time
1	90 28 22 640 00-00	holder	1	10
2	05 17 89 552 00-00	holder	1	10
3	04 31 11 113 00 90	pin	1	2
4	08 17 89 505-00	holder	1	10
5	09 30 11 046 90	disc	1	2
6	09 30 30 071 90	screw	1	2
7	05 17 20 739 00 90	fixing set	1	2
8	09 14 10 042 90	seal	1	2