

## Tissue holder without cover - Brushed Bronze

83 500 979 Product version from 7/1/2023



- width 150mm
- height 95 mm
- rosette Ø 40 mm
- 40mm projection

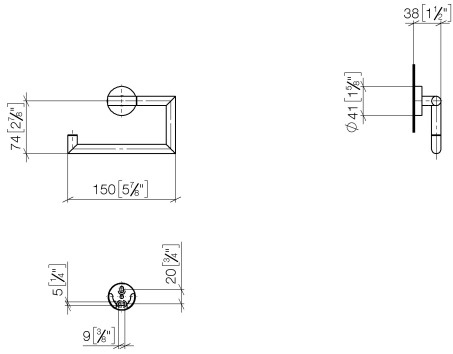
	Brushed Bronze	83 500 979-42
	Chrome	83 500 979-00
	Brushed Platinum	83 500 979-06
	Dark Chrome	83 500 979-19
	Light Gold	83 500 979-26
	Brushed Light Gold	83 500 979-27
	Matte Black	83 500 979-33
	Brushed Champagne (22kt Gold)	83 500 979-46
	Champagne (22kt Gold)	83 500 979-47
	Brushed Chrome	83 500 979-93
	Brushed Dark Platinum	83 500 979-99

## Tissue holder without cover - Brushed Bronze

---

83 500 979 Product version from 7/1/2023

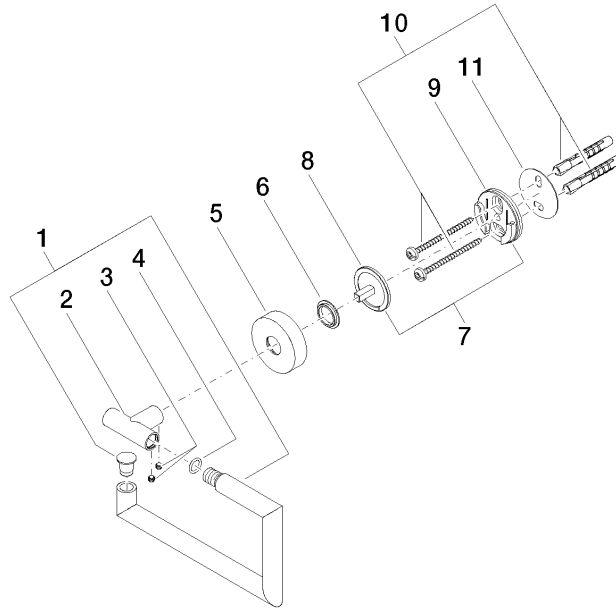
mm [inches]



## Tissue holder without cover - Brushed Bronze

83 500 979 Product version from 7/1/2023

Parts for other finishes can be found here: [Chrome](#)



### Spare parts list

No.	Item Number	Name	Quantity used	Delivery time
1	90 28 22 626 00-42	holder	1	30
2	05 17 97 561 01-42	holder	1	60
3	90 31 11 038 00 90	pin	2	2
4	90 14 10 060 00 90	seal	1	2
5	08 27 97 500-42	rosette	1	60
6	08 30 11 516 90	ring	1	2
7	05 17 97 501 01 90	fixing set	1	2
8	08 17 97 559 90	holder	1	2
9	08 17 97 501 07	holder	1	2
10	05 30 31 025 00 90	fixing set	1	2
11	05 30 11 519 00 90	disc	1	2