

83 510 892

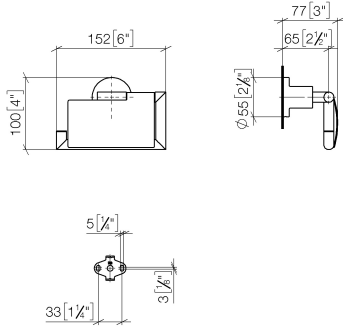


- width 152mm
- height 100 mm
- rosette Ø 55 mm
- 77mm projection

	Brushed Dark Platinum	83 510 892-99
	Chrome	83 510 892-00
	Brushed Platinum	83 510 892-06
	Platinum	83 510 892-08
	Dark Chrome	83 510 892-19
	Brushed Durabronze (23kt Gold)	83 510 892-28
	Matte Black	83 510 892-33
	Brushed Bronze	83 510 892-42
	Brushed Champagne (22kt Gold)	83 510 892-46
	Champagne (22kt Gold)	83 510 892-47
	Brushed Chrome	83 510 892-93

83 510 892

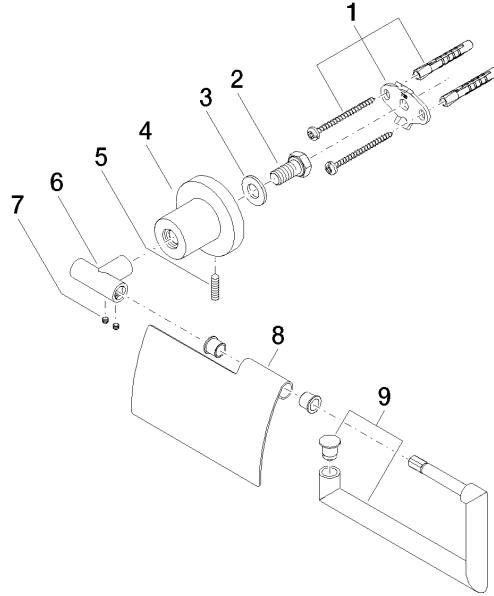
mm [inches]



83 510 892

**Product version from 4/1/2024**

Parts for other finishes can be found here: [Chrome](#)





TARA Tissue holder with cover - Brushed Dark Platinum

TARA

83 510 892

**Spare parts list**

**Product version from 4/1/2024**

No.	Item Number	Name	Quantity used	Delivery time
	05 17 20 739 00 90	fixing set	10	2